



PARTS LIST

MOUNTING CLAMP ASSEMBLIES (EACH)

4 KITS REQUIRED

- 2 - LOWER MOUNT SUPPORTS
- 2 - THREADED 6MM NUTPLATES (SILVER)
- 1 - MIDDLE PIVOT SUPPORT
- 4 - 6MM X 16MM ALLEN HEAD BOLTS
- 4 - 6MM LOCKWASHERS
- 6 - 1/4 FLATWASHERS
- 1 - 1/4 X 3 1/4 BOLT
- 4 - 1/4 NYLON FLATWASHERS (11/16" DIA)

ROOF RACK TOP MOUNTING

- 4 - 3/8 X 1 1/2 CARRIAGE BOLTS
- 4 - 3/8 H. D. FLATWASHERS (1 3/8" DIA.)
- 4 - 3/8 THIN NYLON LOCKNUTS

ALUMINUM TRACK MOUNTING KIT

- 2 - ALUMINUM TRACKS (28")
- 2 - TRACK GASKETS (31" LONG)
- 4 - BLACK PLASTIC END CAPS
- 8 - 1/4 X 1 1/4 ALLEN HEAD BOLTS (STAINLESS STEEL)
- 8 - 1/4 NYLON FLATWASHERS (SMALL 1/2" DIA.)
- 8 - 1/4 LARGE FLATWASHERS (1 1/4" DIA.)
- 8 - 1/4 NYLON LOCKNUTS
- 8 - VINYL BLACK CAPS
- 2 - INSIDE SUPPORTS (28 5/8 " LONG)

SPECIAL TOOL

- 1 - 5/32 ALLEN WRENCH

ROOF RACK

- 1 - 4' X 4" FRONT RACK END (TAPERED)
- 1 - 4' X 4" REAR RACK END (EVEN)
- 1 - BOLT KIT# 2000
- 2- SIDES (12 1/2" X 4")

FLOORING KIT

- 6 - FLOOR PIECES (30 1/8")
- 1 - FLOORING BOLT KIT

CONTENTS

- 12 - 1/4 X 1 1/2 BOLTS
- 12 - 1/4 LOCKWASHERS
- 12 - 1/4 FLATWASHERS (1 1/4" DIA.)
- 12 - BLACK PLASTIC END CAPS



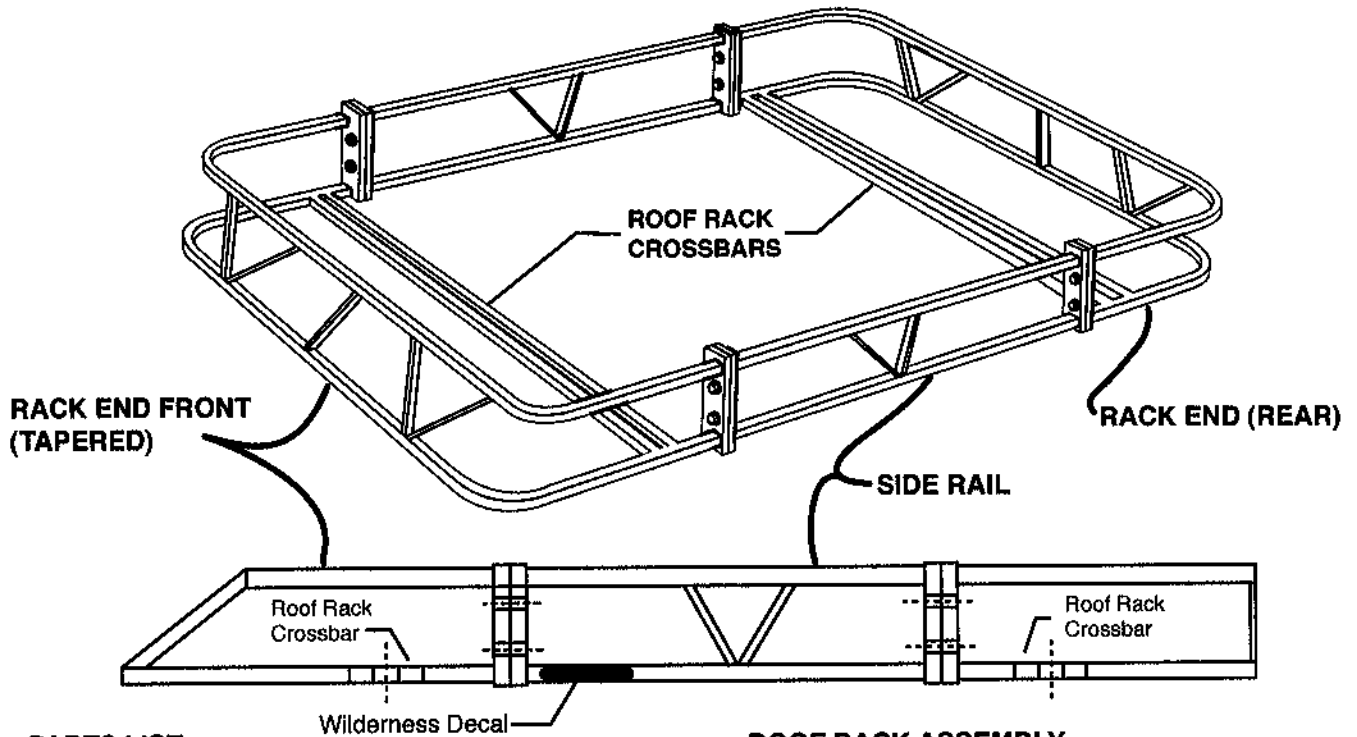
*Manufacturers of Specialty Products
for Sport Utility and 4X4 Vehicles*

316 Millar Avenue; El Cajon, CA 92020
Phone (619)440-7415; FAX (619)440-0851

**Jeep Freedom Top Track Rack
Part#44014 & 44014**

Installation Instructions

1. Assemble roof rack as shown on page 3.
2. Install flooring to roof rack crossbars as shown on page 4. Align and tighten the middle four floors. Leave the two outboard floors loose for adjustment later.
3. Assemble the four mounting clamps, refer to page 5, figure A.
4. Measure, mark and drill 1/4" dia. hole in fiberglass top, as shown on page 6, figure A.
5. Install gaskets to tracks as shown on page 6, figure B.
6. Set track on raised portion of top and install 1/4" bolt to hold track in position. Center track on raised rib and drill 1/4" dia. holes through the top using the other three holes in the track as a guide.
7. Remove track from top.
8. Install mounting brackets into track assembly, refer to page 5, figure B.
9. Put some silicone sealant around holes on top.
10. Install track assemblies to Freedom Top as shown on page 6, figures A & C. Put silicone sealant around all mounting bolts and washers to prevent leakage. Tighten all mounting hardware.
11. Position mounting brackets in track as shown on page 7, tighten.
12. Install roof rack to mounting brackets, center and align roof rack and tighten all mounting hardware.
13. Adjust the two outboard floors and tighten.
14. Re-check alignment and tighten all mounting hardware.
15. This type of product is always subject to nicks and scratches. Touch-up all nicks and scratches with a rust preventative satin black paint. Failure to touch-up will result in rusting. If rust is visible clean and touch up.
16. **CAUTION!!! LOADING AND WEIGHT CAPACITY**, use common sense when loading items on this roof rack. The roof rack will support more weight that the vehicle roof mounting will safely support. Use manufacturers weight limits as a guide for loading this roof rack.



PARTS LIST

ROOF RACK ASSEMBLY

- 1- FRONT RACK END (TAPERED)
- 1 - REAR RACK END (EVEN)
- 1 - BOLT KIT # 2000
- 2 - SIDES (12 1/2" x 4")

- 1 - Assemble roof rack ends to roof rack sides as shown in figures A and B.
- 2 - Align and tighten all fasteners.
- 3 - Roof rack flooring and vehicle mounting are shown in their respective installation instructions.

LIGHT MOUNTING BRACKET (each)
PART # 88140 Front only
PART # 88134 Rear and side

WIND DEFLECTOR
PART# 29954

CAUTION!!! LOADING and WEIGHT CAPACITY

- 1 - Use common sense when loading items on this roof rack.
- 2 - The roof rack will support more weight than the vehicle roof mounting will safely support.
- 3 - As a general rule up to 150 Lbs. evenly distributed is a safe load for this rack.

FIGURE A

FIGURE B

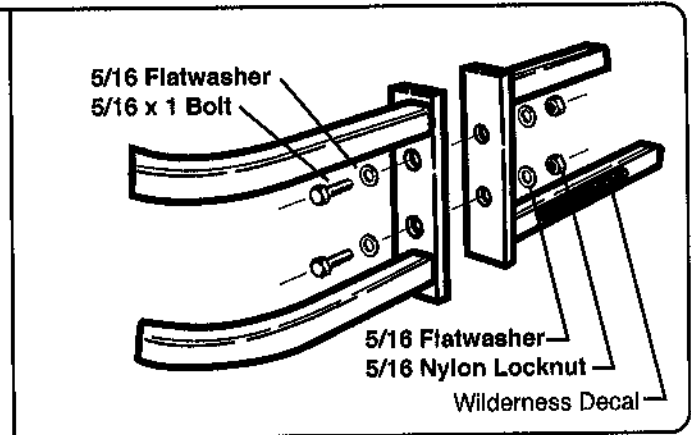
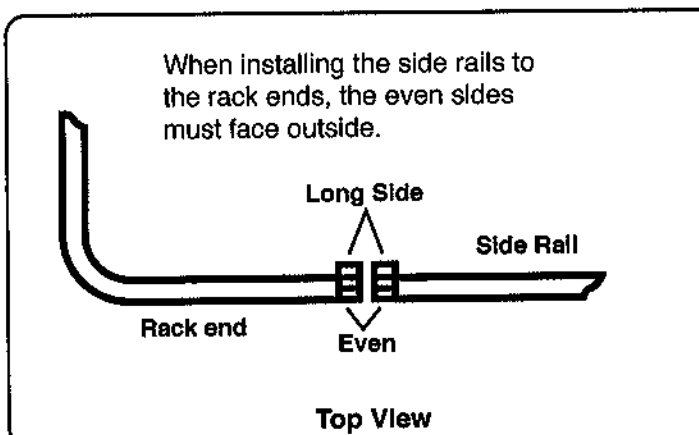
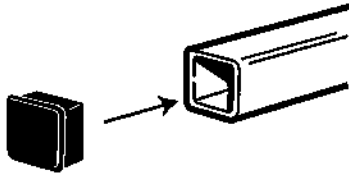


FIGURE A

Install black plastic plugs into end of flooring. Use silicon around plug before installing for added protection in (wet) weather conditions.



**BLACK PLASTIC
END CAP**

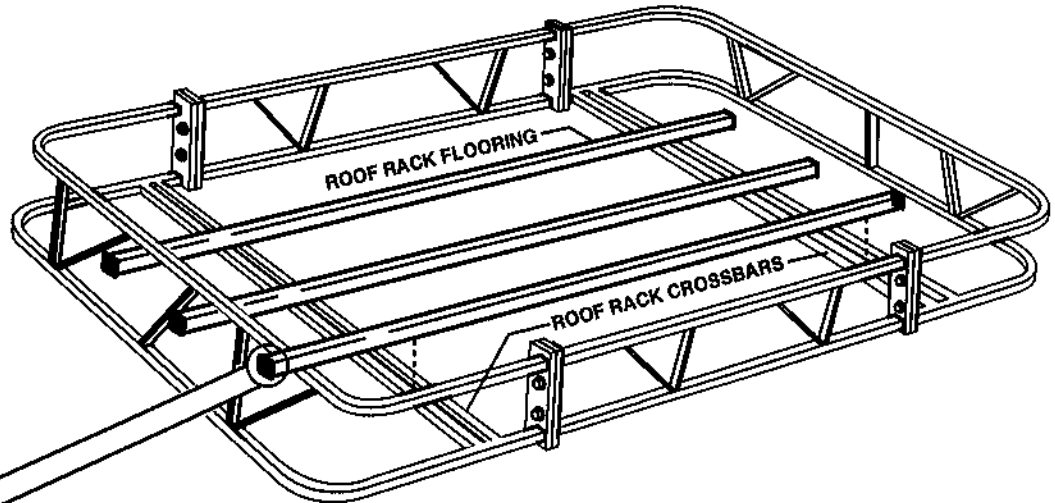
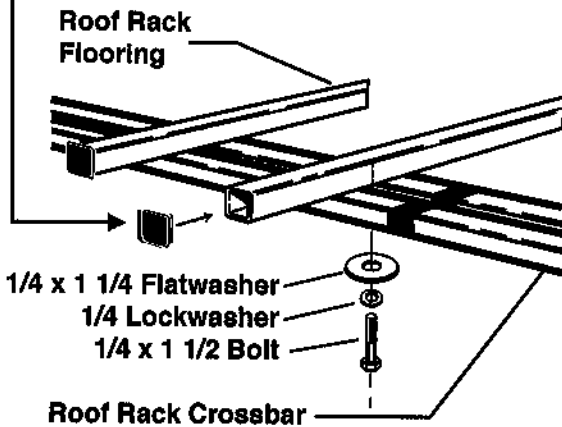


FIGURE B



1/4 x 1 1/4 Flatwasher
1/4 Lockwasher
1/4 x 1 1/2 Bolt

Roof Rack Crossbar

**Apply Loctite to threads
of 1/4 x 1 1/2" bolts for
off road use.**

**SEE YELLOW
CAUTION SHEET
BEFORE TIGHTENING
BOLTS**

**THE FLOORS MOUNT ON TOP OF THE ROOF
RACK CROSSBARS**

PARTS LIST

**6 - FLOOR PIECES (30 1/8")
1 - FLOORING BOLT KIT**

CONTENTS

12 - 1/4 X 1 1/4" BOLTS
12 - 1/4 LOCKWASHERS
12 - 1/4 FLATWASHERS (1 1/4" DIA.)
12 - BLACK PLASTIC END CAPS

INSTALLATION INSTRUCTIONS

- 1 - INSTALL BLACK PLASTIC END CAPS IN FLOOR ENDS (FIGURE A)
- 2 - INSTALL FLOORS TO ROOF RACK CROSSBARS (FIGURE B)
- 3 - START ALL BOLTS IN FLOORING (FIGURE B), LEAVE BOLTS LOOSE, EVENLY SPACE FLOORS ON ROOF RACK.
- 4 - ALIGN FLOORS AND THEN READ THE YELLOW CAUTION SHEET (ENCLOSED) BEFORE TIGHTENING 1/4 X 1 1/2" BOLTS.
- 5 - THE TWO OUTSIDE (OUTBOARD) FLOORS MAY HAVE TO BE RE-ADJUSTED TO CLEAR THE MOUNTING BOLTS AS THEY COME UP THROUGH THE CROSSBARS.

FIGURE A MOUNTING CLAMP ASSEMBLY

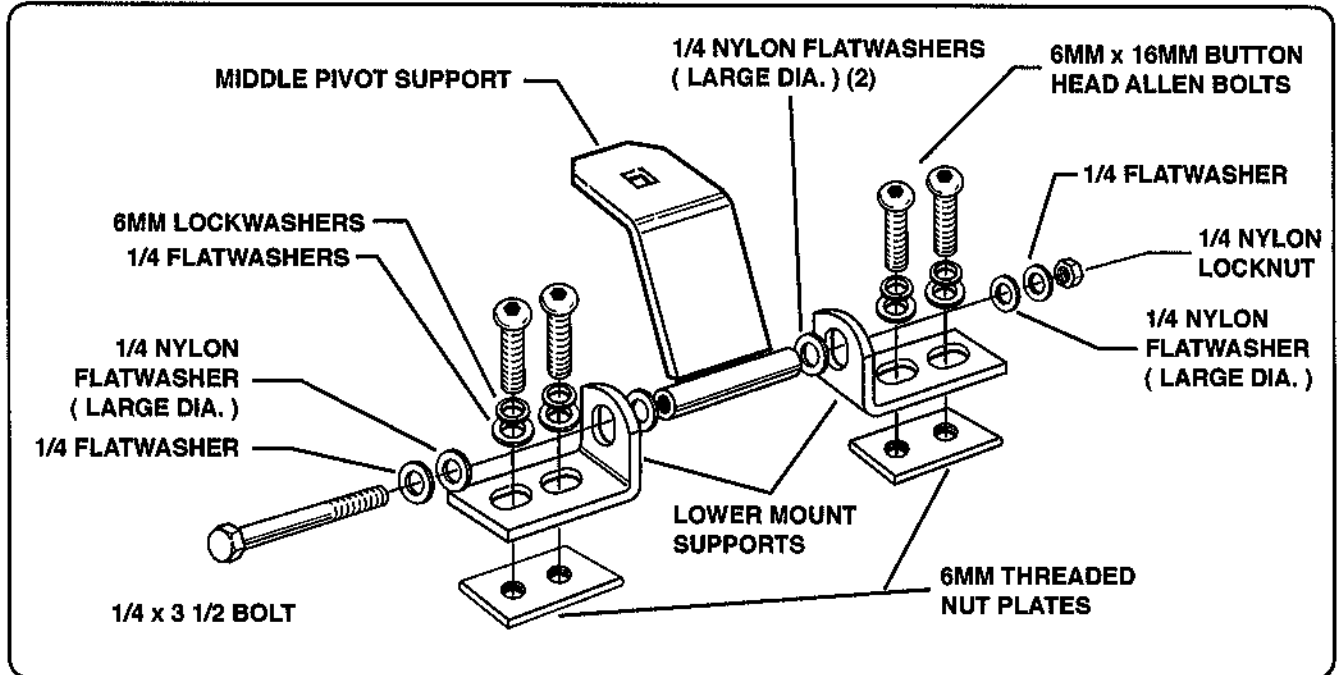


FIGURE B (CLAMP ASSEMBLY INTO TRACK)

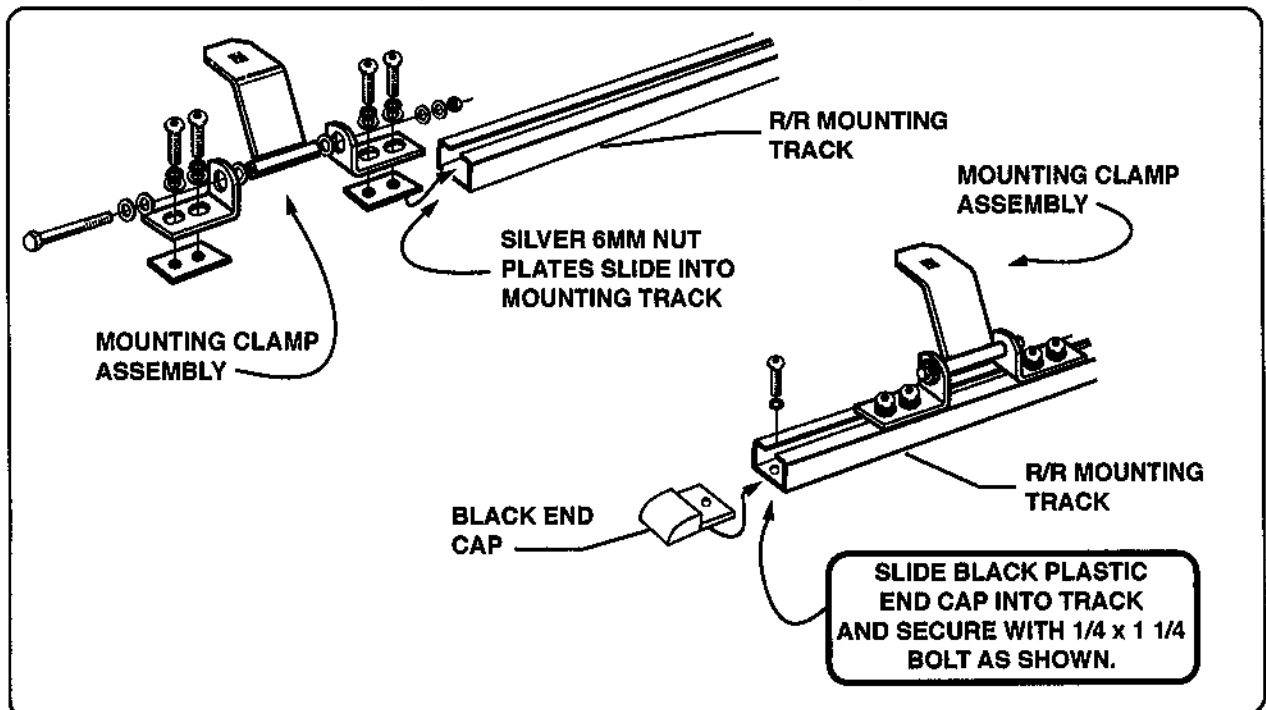


FIGURE A

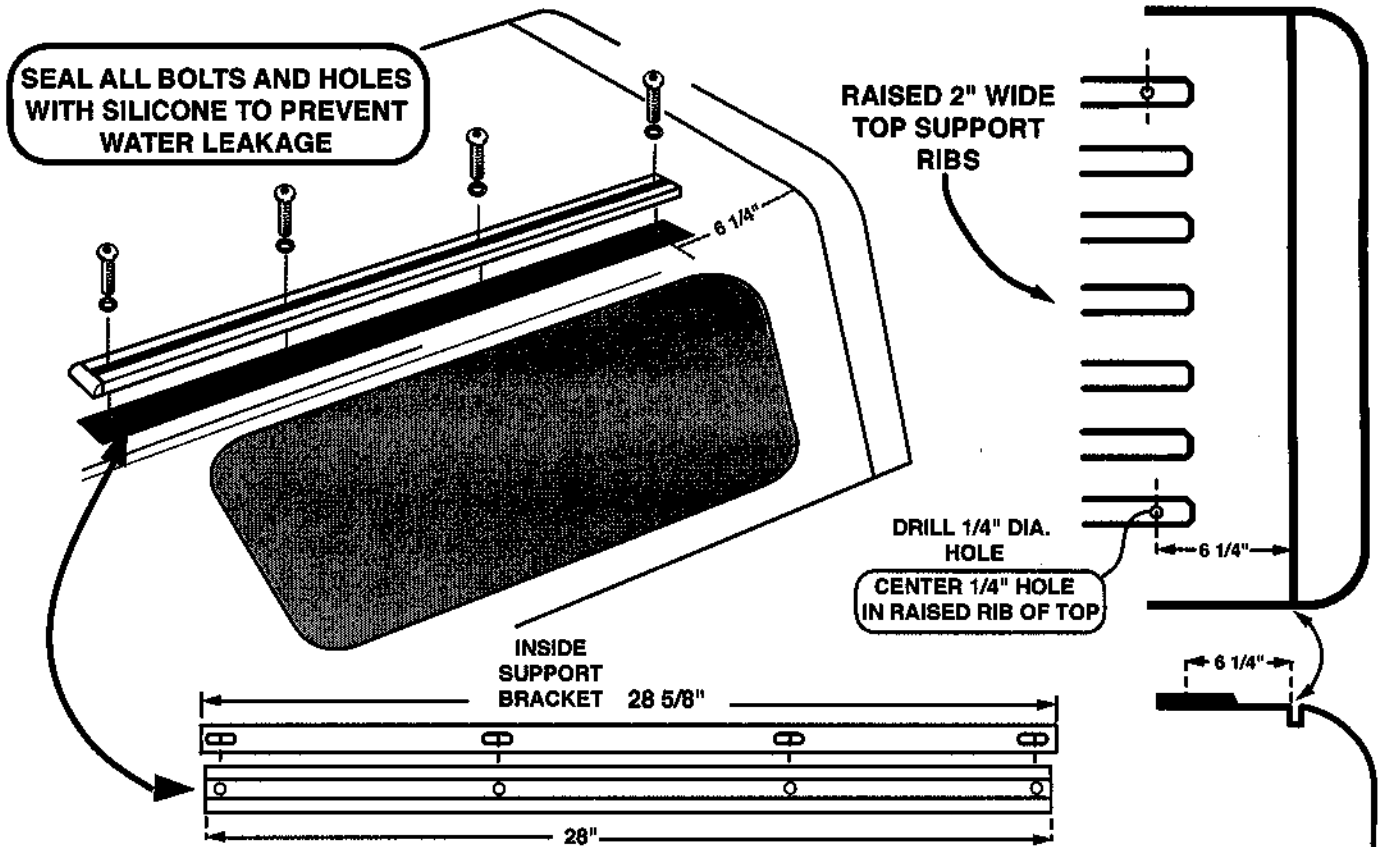
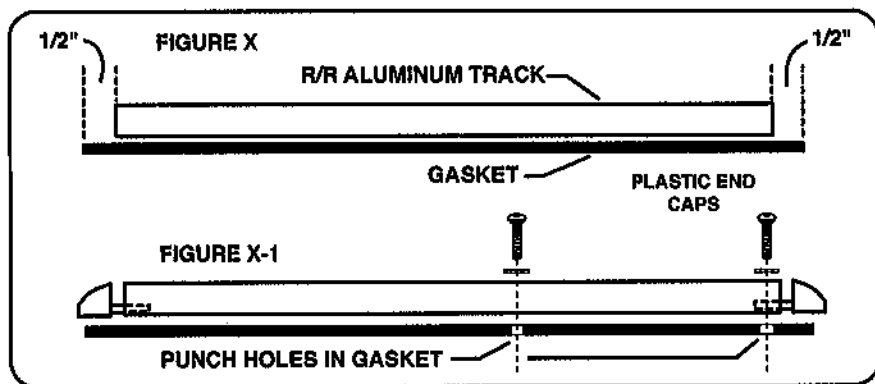


FIGURE B

(SIDE VIEW)



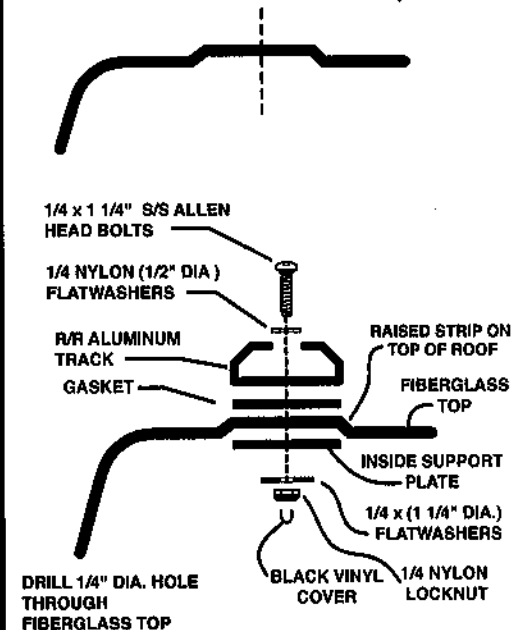
GASKET INSTALLATION

- 1 - REMOVE THE WHITE BACKING FROM THE GASKET MATERIAL. INSTALL THE STICKY SIDE OF THE GASKET TO THE BOTTOM OF THE TRACK, LEAVING 1/2" OF GASKET PAST THE END OF THE TRACK (REFER TO FIGURE X) AND TRIMMING THE OTHER END OF THE GASKET TO 1/2" PAST THE TRACK. (THE 1/2" OF GASKET IS SO THE END CAP WILL HAVE GASKET MATERIAL UNDER IT).
- 2 - PUNCH OR DRILL A 1/4" DIA. HOLE THROUGH THE GASKET MATERIAL AT THE RESPECTIVE HOLES IN THE ALUMINUM TRACK, THIS WILL MAKE MARKING THE HOLES EASIER WHEN THE ROOF RACK AND TRACK ASSEMBLY ARE POSITIONED ON THE FIBERGLASS TOP, REFER TO FIGURE X-1.

DRAWING # FREEDOM TOP# 44012C

FIGURE C

MOUNT THE TRACK IN THE CENTER OF THE OUTBOARD RAISED PORTION OF THE TOP. (THE RAISED PORTION CLOSEST TO THE OUTSIDE OF THE JEEP)



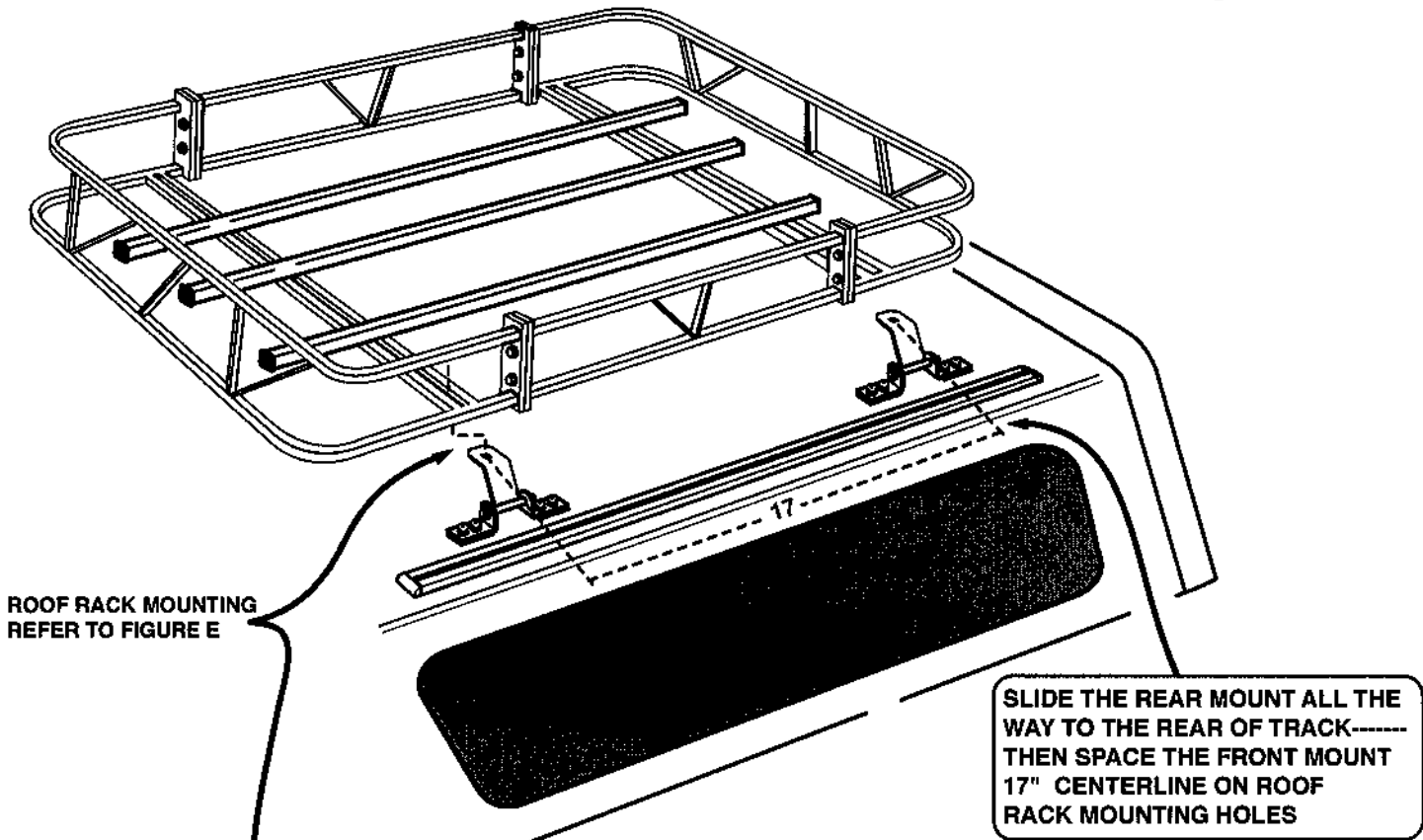


FIGURE E (RACK END MOUNTING)

