



WILDERNESS™
Accessories
MFG. BY GARVIN INDUSTRIES

**Manufacturers of Specialty Products
for Sport Utility and 4x4 Vehicles**

316 Millar Avenue • El Cajon, CA 92020
Phone 619/440-7415 • FAX 619/440-0851

Universal Thule® and Yakima® Mounting Brackets

Part#29204

Fits 4" high Wilderness Racks

Parts List

4-Inside Mounting Brackets(4")
4-Outside Brackets(4")
4-Lower Brackets
8-5/16 x 2 Carriage Bolts
8-5/16 x 1 ½ Carriage Bolts
16-5/16 SAE Flatwashers
16-5/16 Nylon Locknuts

Installation Instructions

1. The Wilderness mounting brackets are designed to bolt onto the roof rack sides and are adjustable along the roof rack side, as shown in figure 1. The Thule® or Yakima® crossbars may have to be adjusted to fit the roof rack spacing requirements.
2. Figures 2 and 3 illustrate the proper way Thule® or Yakima® crossbars fit Wilderness brackets.
3. When mounting a Wilderness roof rack to either a Thule® or Yakima® crossbar system, use figure 4 for installation assembly. The inside mounting bracket can be positioned inside or outside, as shown in figure 4.
4. When mounting a Thule® or Yakima® crossbar system to an existing Wilderness rack, use figure 5 for installation instructions. You can also reverse the inside mounting bracket, as shown in figure 4.
5. Align and tighten all mounting hardware.

ILLUSTRATIONS FOR WILDERNESS KITS PART#'S 29204 & 29206

ROOF RACK ENDS

FIGURE 1

ROOF RACK ENDS

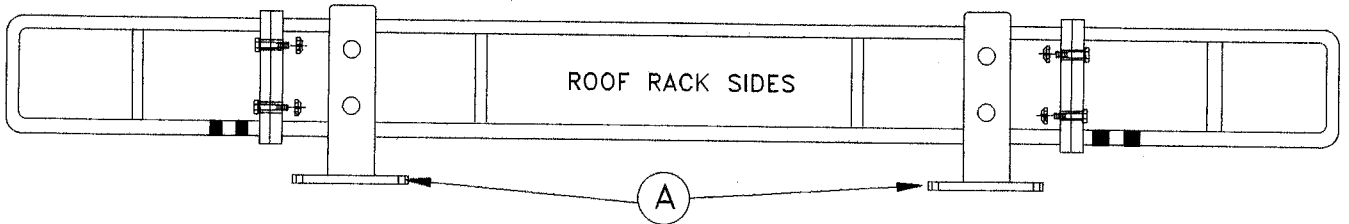


FIGURE 2

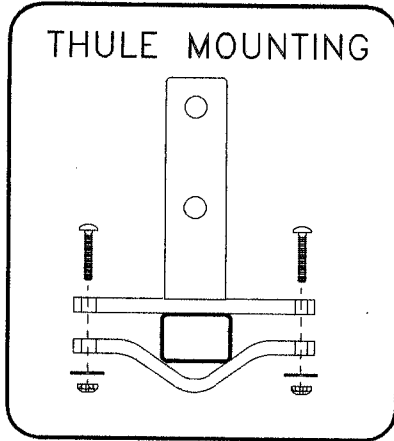


FIGURE 3

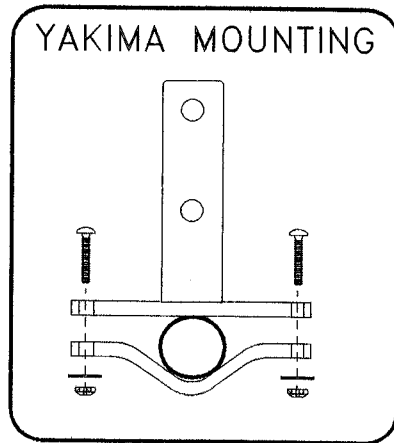


FIGURE 4

FIGURE 5

