



WILDERNESS PRODUCTS
JK CROSSBAR KIT
YAKIMA COMPATIBLE
PART # 44097



PAGE 1 OF 4

PARTS LIST

MOUNTING CLAMP ASSEMBLIES (EACH)

4 KITS REQUIRED

- 2 - LOWER MOUNT SUPPORTS
- 2 - THREADED 6MM NUTPLATES (SILVER)
- 1 - MIDDLE PIVOT SUPPORT
- 4 - 6MM X 16MM ALLEN HEAD BOLTS
- 4 - 6MM LOCKWASHERS
- 6 - 1/4 FLATWASHERS
- 1 - 1/4 X 3 1/4 BOLT
- 4 - 1/4 NYLON FLATWASHERS (11/16" DIA)

CROSSTUBE KIT

- 2 - 58" X 1 1/8 CROSSTUBES
- 4 - TOP MOUNTING BRACKETS
(SQUARE HOLES)
- 2 - 1 1/8" BLACK VINYL COVERS
- 8 - 5/16 X 1 1/4 CARRIAGE BOLTS
- 8 - 5/16 FLATWASHERS
- 8 - 5/16 NYLON LOCKNUTS

ALUMINUM TRACK MOUNTING KIT

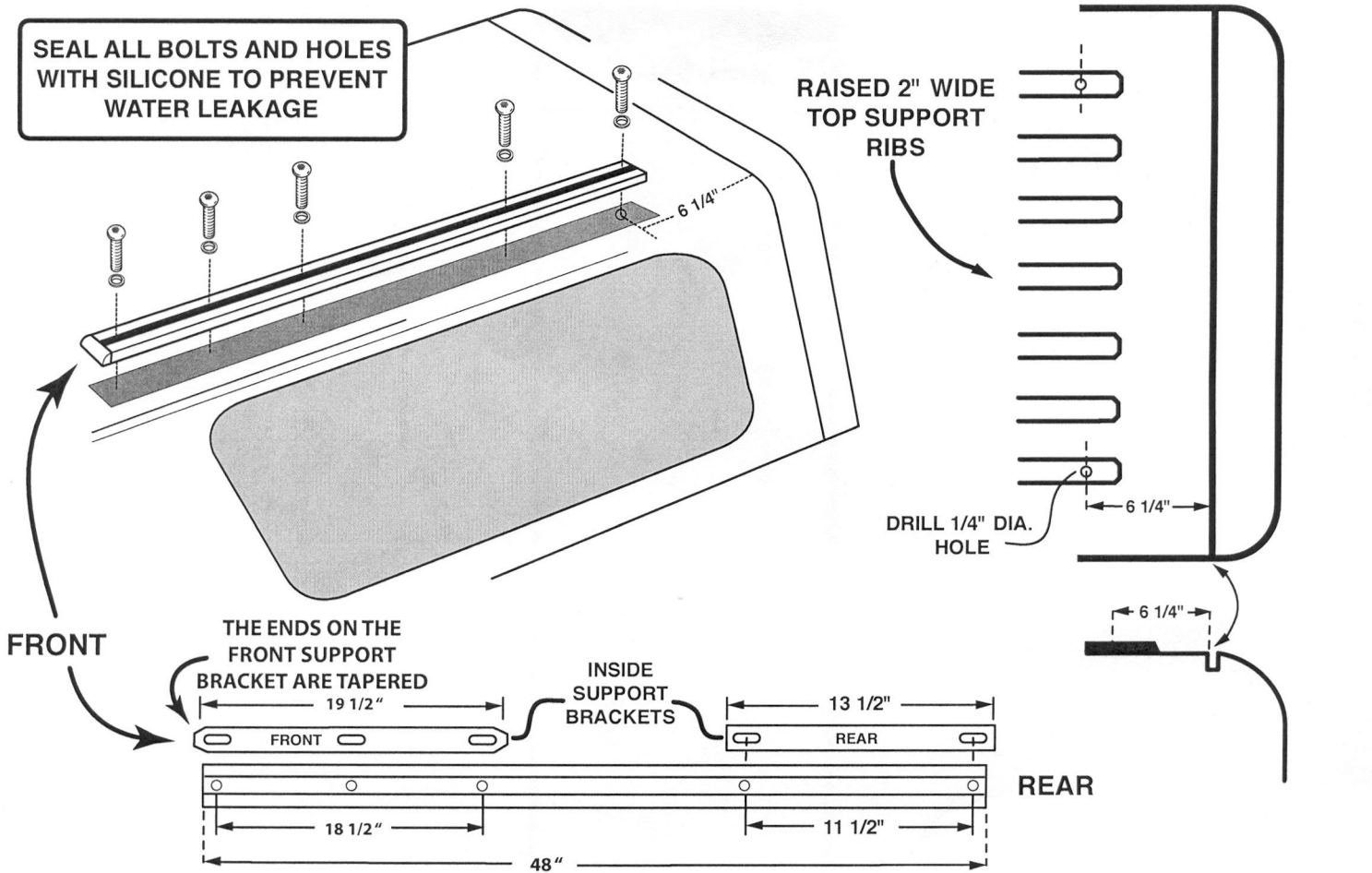
- 2 - ALUMINUM TRACKS (48")
- 2 - TRACK GASKETS (49" LONG)
- 4 - BLACK PLASTIC END CAPS
- 10 - 1/4 X 1 1/4 ALLEN HEAD BOLTS (STAINLESS STEEL)
- 10 - 1/4 NYLON FLATWASHERS (SMALL 1/2" DIA.)
- 10 - 1/4 LARGE FLATWASHERS (1 1/4" DIA.)
- 10 - 1/4 NYLON LOCKNUTS
- 10 - VINYL BLACK CAPS
- 2 - FRONT INSIDE SUPPORTS (19 1/2 " LONG)
- 2 - REAR INSIDE SUPPORTS (13 1/2" LONG)

SPECIAL TOOL

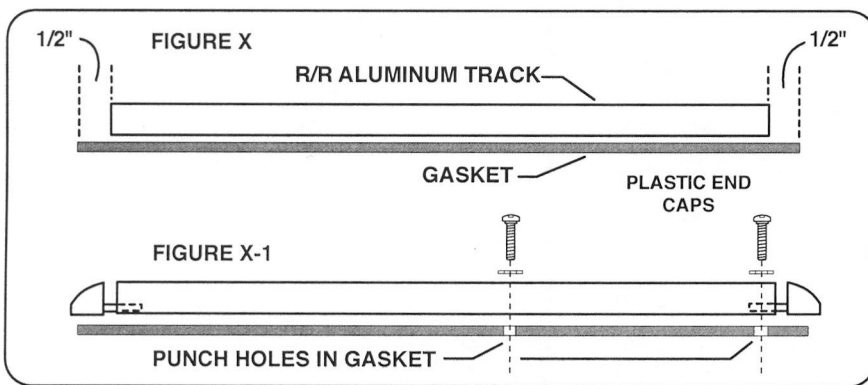
- 1 - 5/32 ALLEN WRENCH

INSTALLATION INSTRUCTIONS

- 1 - REMOVE THE FACTORY SOUND BAR AND UNPLUG WIRING ON PASSENGERS SIDE.
- 2 - ASSEMBLE THE FOUR MOUNTING BRACKETS, AS SHOWN ON PAGE 3 FIGURE A.
- 3 - MEASURE, MARK AND DRILL 1/4" DIA. HOLE IN TOP AS SHOWN ON PAGE 2.
- 4 - SET TRACK ON RAISED PORTION OF TOP AND INSTALL 1/4" BOLT TO HOLD TRACK IN POSITION REFER TO PAGE 2 CENTER TRACK ON RAISED RIB AND USING THE OTHER HOLES AS A GUIDE DRILL 1/4" DIA. HOLES THROUGH THE FIBERGLASS TOP. WHEN POSITIONING THE TRACK ON THE ROOF THE 3 HOLES GOES TO THE FRONT AS SHOWN ON PAGE 2.
- 5 - REMOVE TRACKS FROM THE ROOF, INSTALL THE GASKET TO THE TRACK AND SLIDE THE MOUNTINGS (TWO PER SIDE) INTO THE TRACK ASSEMBLY AS SHOWN ON PAGE 3 FIGURE B.
- 6 - PUT SOME BLACK SILICONE AROUND THE HOLES ON TOP.
- 7 - INSTALL THE TRACK ASSEMBLIES TO THE TOP AS SHOWN ON PAGE 2. PUT BLACK SILICONE AROUND ALL MOUNTING BOLTS AND WASHERS TO PREVENT LEAKING. TIGHTEN ALL MOUNTING HARDWARE.
- 8 - RE-INSTALL FACTORY SOUND BAR.
- 9 - INSTALL BLACK VINYL END CAPS TO THE CROSSBARS AND SECURE WITH SILICONE.
- 10 - INSTALL CROSSBARS TO MOUNTING BRACKETS AS SHOWN ON PAGE 4, SLIGHTLY TIGHTEN TO HOLD IN PLACE.
- 11 - ADJUST THE CROSSBARS FOR YOUR APPLICATION AND TIGHTEN ALL MOUNTING HARDWARE.



(SIDE VIEW)



GASKET INSTALLATION

- 1 - REMOVE THE WHITE BACKING FROM THE GASKET MATERIAL. INSTALL THE STICKY SIDE OF THE GASKET TO THE BOTTOM OF THE TRACK, LEAVING 1/2" OF GASKET PAST THE END OF THE TRACK (REFER TO FIGURE X) AND TRIMMING THE OTHER END OF THE GASKET TO 1/2" PAST THE TRACK. (THE 1/2" OF GASKET IS SO THE END CAP WILL HAVE GASKET MATERIAL UNDER IT).
- 2 - PUNCH OR DRILL A 1/4" DIA. HOLE THROUGH THE GASKET MATERIAL AT THE RESPECTIVE HOLES IN THE ALUMINUM TRACK, THIS WILL MAKE MARKING THE HOLES EASIER WHEN THE ROOF RACK AND TRACK ASSEMBLY ARE POSITIONED ON THE FIBERGLASS TOP, REFER TO FIGURE X-1.

MOUNT THE TRACK IN THE CENTER OF THE OUTBOARD RAISED PORTION OF THE TOP. (THE RAISED PORTION CLOSEST TO THE OUTSIDE OF THE JEEP)

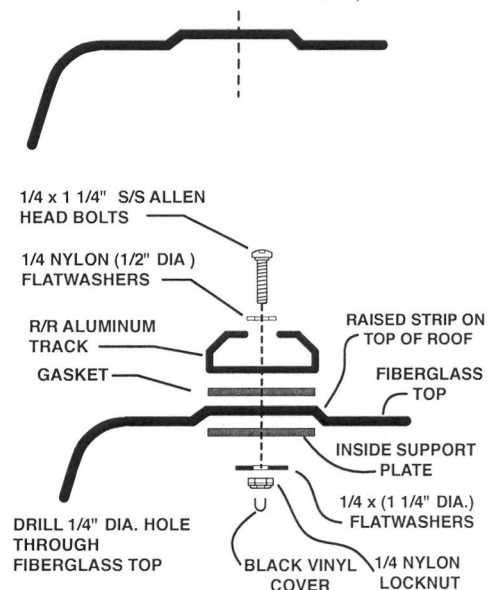


FIGURE A MOUNTING CLAMP ASSEMBLY

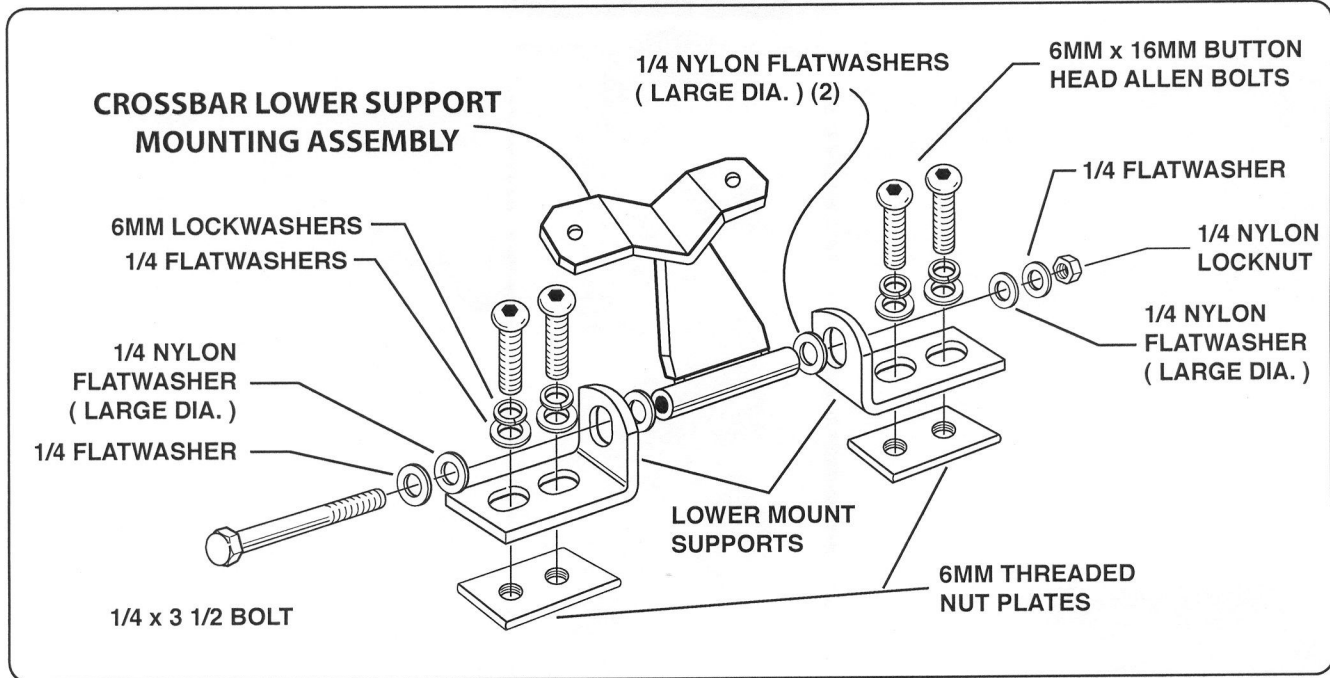
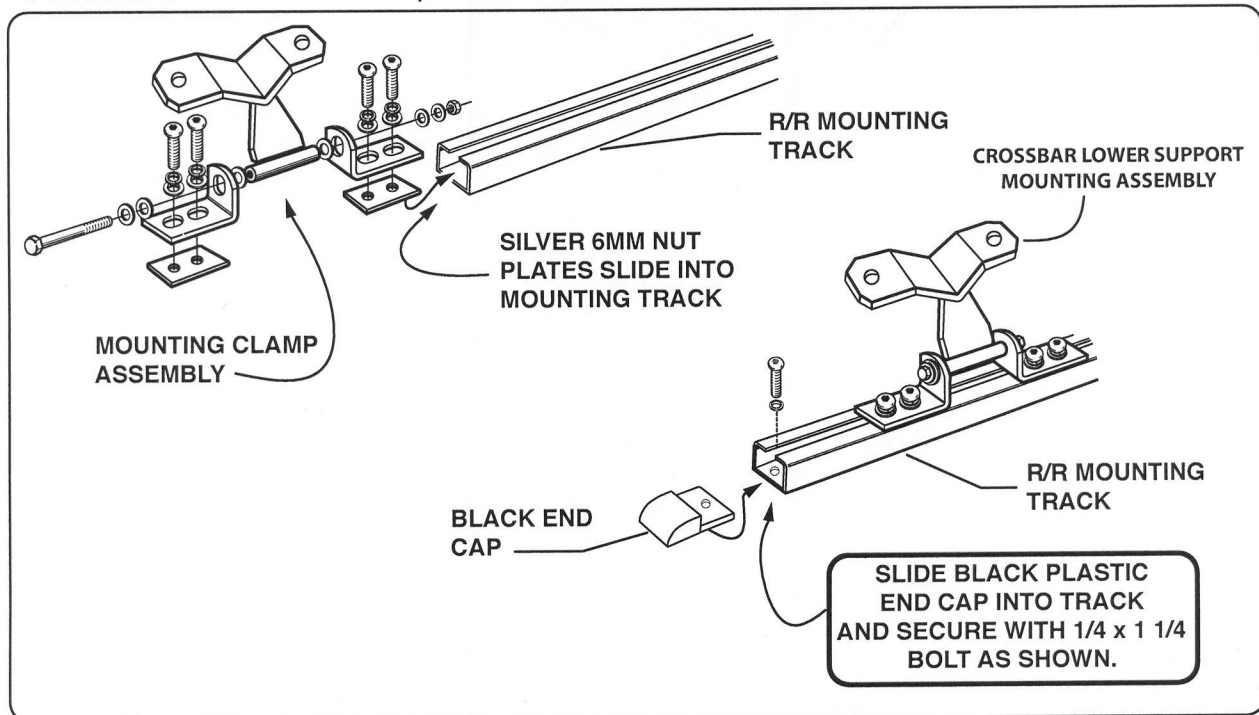
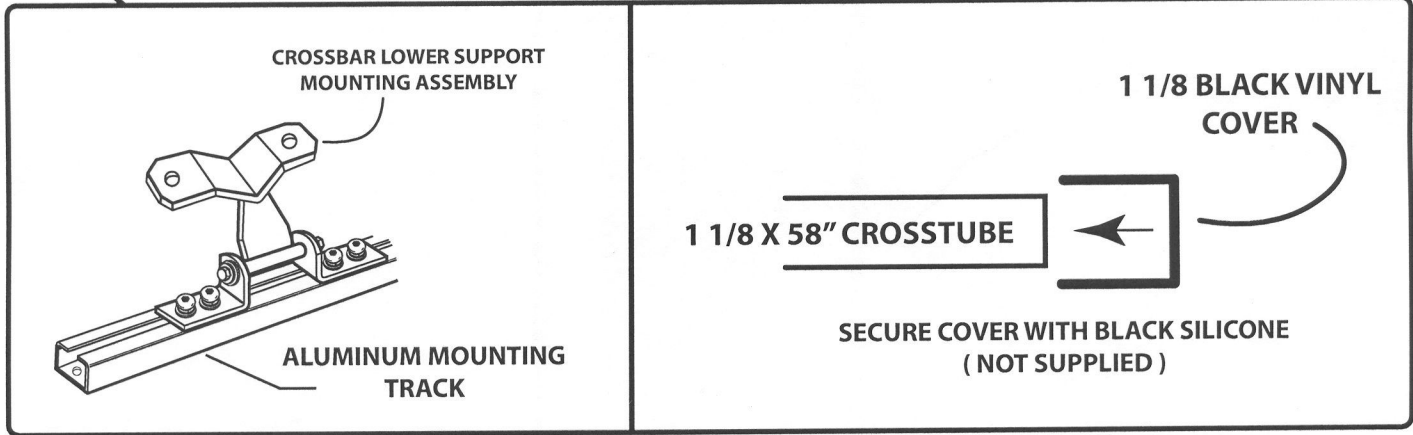
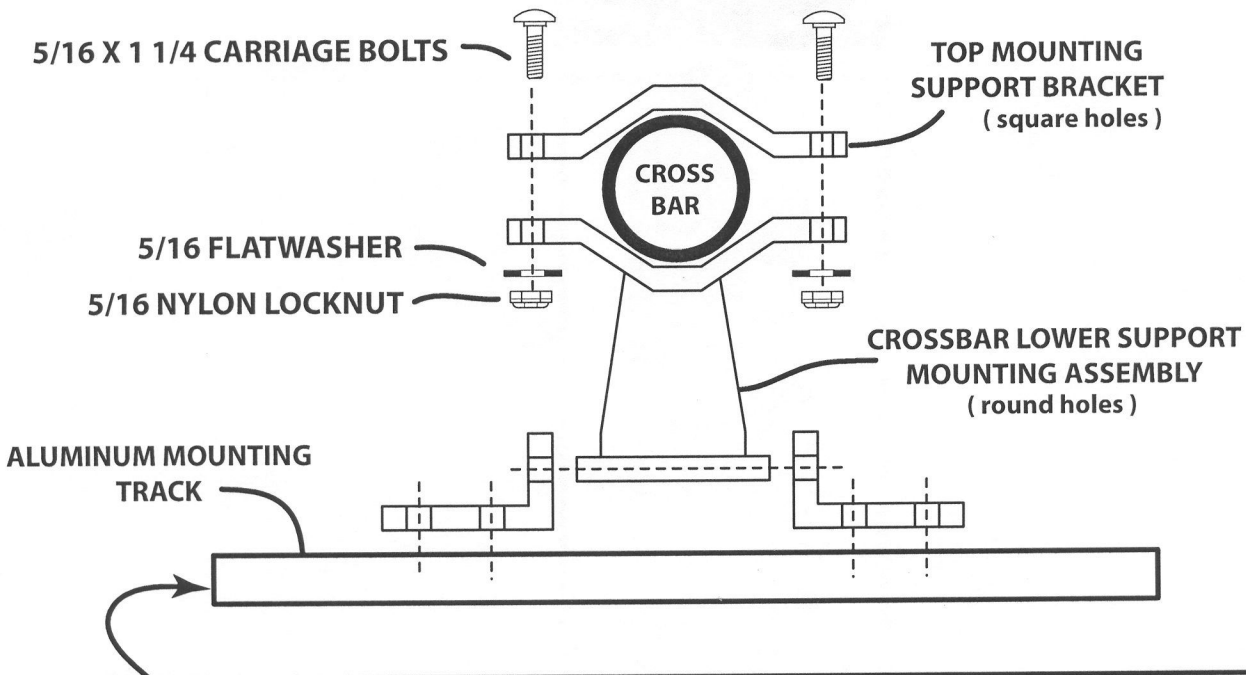


FIGURE B (CLAMP ASSEMBLY INTO TRACK)





INSTALLATION INSTRUCTIONS

- 1 - INSTALL MOUNTING BRACKET TO ALUMINUM TRACK AS SHOWN, LEAVE LOOSE FOR ADJUSTMENT.
- 2 - INSTALL 1 1/8" DIA. CROSSBAR AS SHOWN, CENTER CROSSBAR BETWEEN THE MOUNTING BRACKETS, SLIGHTLY TIGHTEN TO HOLD IN PLACE.
- 3 - ADJUST THE CROSSBAR SPACING ALONG THE TRACK ASSEMBLY TO FIT YOUR NEEDS.
- 4 - AFTER ALL SPACING ADJUSTMENTS ARE FINISHED TIGHTEN ALL FASTENERS.