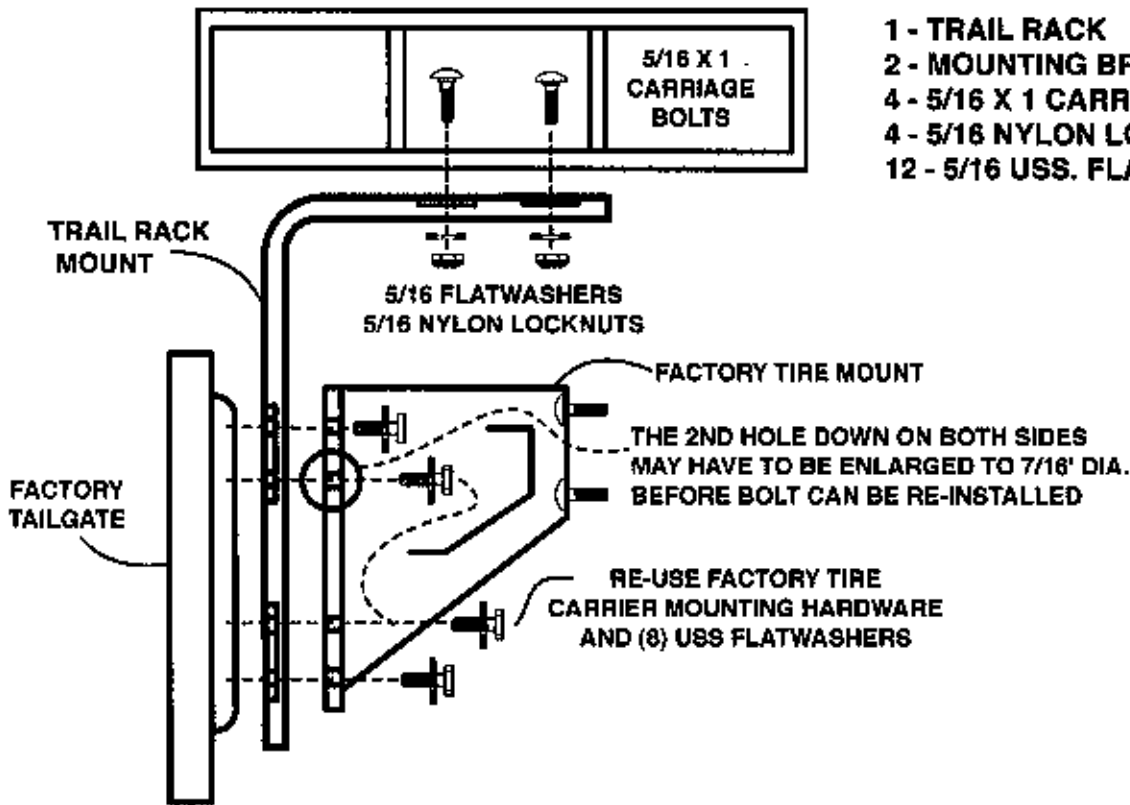


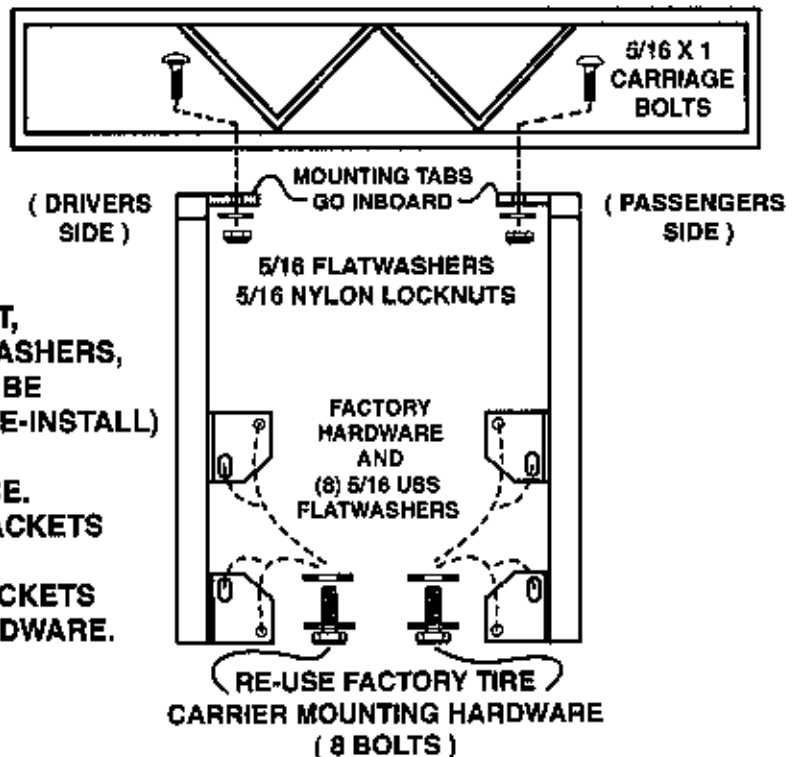
FIGURE A (SIDE VIEW)



PARTS LIST

- 1 - TRAIL RACK
- 2 - MOUNTING BRACKETS (RT. & LT.)
- 4 - 5/16 X 1 CARRIAGE BOLTS
- 4 - 5/16 NYLON LOCKNUTS
- 12 - 5/16 USS. FLATWASHERS

FIGURE B (REAR VIEW)



INSTRUCTIONS

- 1 - REMOVE SPARE TIRE
- 2 - LOOSEN ALL 8 FACTORY TIRE CARRIER BOLTS.
- 3 - REMOVE ALL 4 BOLTS ON ONE SIDE, PULL AWAY TIRE MOUNT AND SLIDE IN ONE TRAIL RACK MOUNTING BRACKET, RE-INSTALL 4 BOLTS AND 4 - 5/16 FLATWASHERS, LEAVE LOOSE. (2ND HOLE MAY HAVE TO BE ENLARGED TO 7/16" DIA. FOR BOLT TO RE-INSTALL)
- 4 - REPEAT ON OTHER SIDE AND SLIGHTLY TIGHTEN ALL 8 BOLTS TO HOLD IN PLACE.
- 5 - INSTALL TRAIL RACK TO MOUNTING BRACKETS AS SHOWN IN FIGURE B.
- 6 - ALIGN TRAIL RACK AND MOUNTING BRACKETS AND THEN TIGHTEN ALL MOUNTING HARDWARE.
- 7 - RE-INSTALL SPARE TIRE.