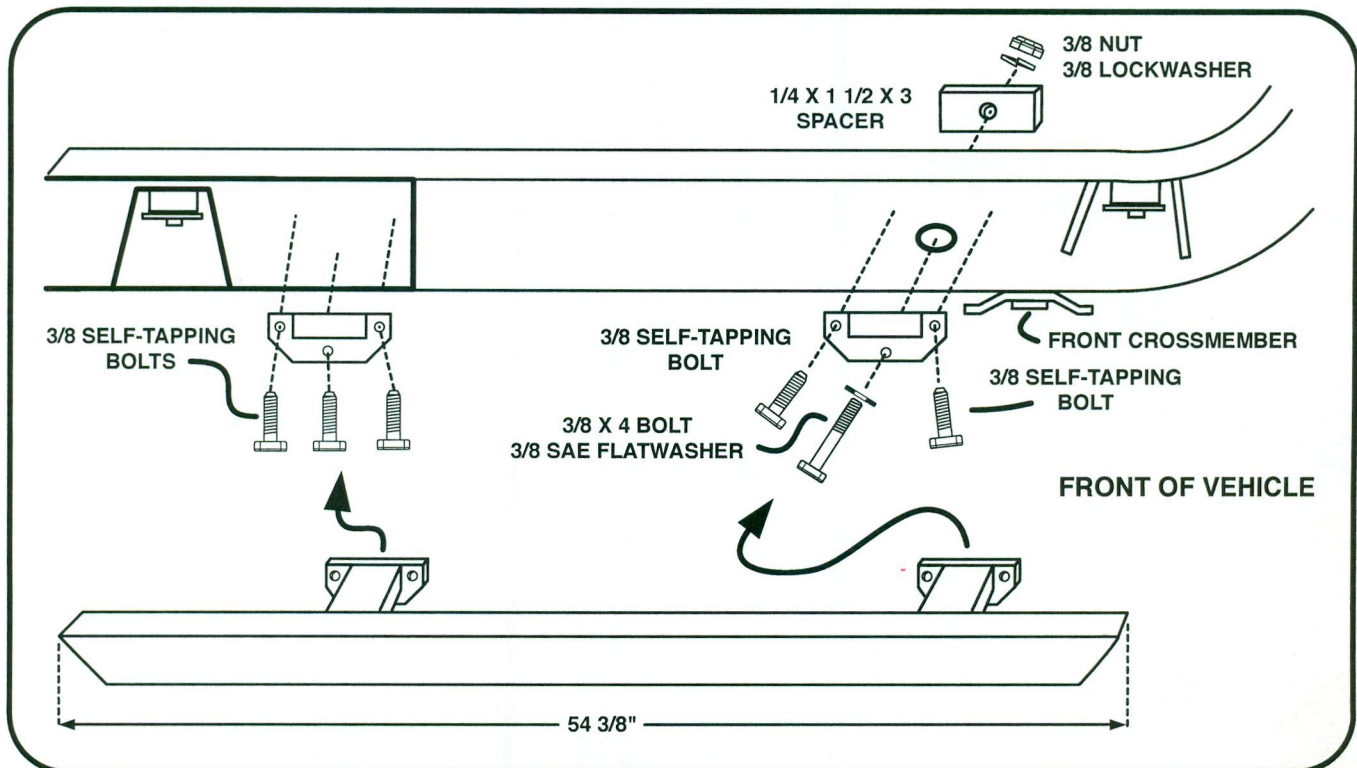


PARTS LIST

2 - JK 2 DOOR ROCK RAILS (RT. & LT.) (54 3/8" LONG)

| | |
|-----------------------------|---------------------------------|
| 2 - 1/4 X 1 1/2 X 3 SPACERS | 2 - 3/8 LOCKWASHERS |
| 2 - 3/8 X 4 BOLTS | 2 - 3/8 NUTS |
| 2 - 3/8 SAE FLATWASHERS | 10 - 3/8 X 1 SELF-TAPPING BOLTS |

PASSENGERS SIDE SHOWN



INSTALLATION INSTRUCTIONS

- 1 - REMOVE ANY FACTORY SIDE BARS ALREADY ON THE JEEP.
- 2 - INSTALL 3/8 X 4 BOLT AND 3/8 FLATWASHER IN THE FRONT MOUNTING BRACKET HOLE AS SHOWN, AND THEN THROUGH THE FRAME HOLE. SECURE TO FRAME AS SHOWN.
- 3 - ADJUST ROCK RAILS LEVEL WITH BODY, MARK HOLES AND THEN REMOVE ROCK RAILS.
- 4 - DRILL THE FRAME USING A SMALL DRILL FIRST (3/16" DIA) AND THEN ENLARGE TO 5/16" OR 21/64" DIA.
- 5 - INSTALL ALL SELF-TAPPING BOLTS INTO FRAME (USE CUTTING OIL ON THREADS). AFTER THREADS ARE CUT INTO FRAME REMOVE THE BOLTS. RE-INSTALL ROCK RAILS, USING SELF-TAPPING BOLTS.
- 6 - TIGHTEN ALL FASTENERS.
- 7 - FOR EXTREME DUTY, THE MOUNTING PADS SHOULD BE WELDED TO THE FRAME. SAND AWAY POWDER COATING AT THE WELD POINTS, TOUCH UP WELDS WITH BLACK PAINT TO PREVENT RUSTING.