

# WILDERNESS JEEP® GAS CAN HOLDER • DRIVER'S SIDE

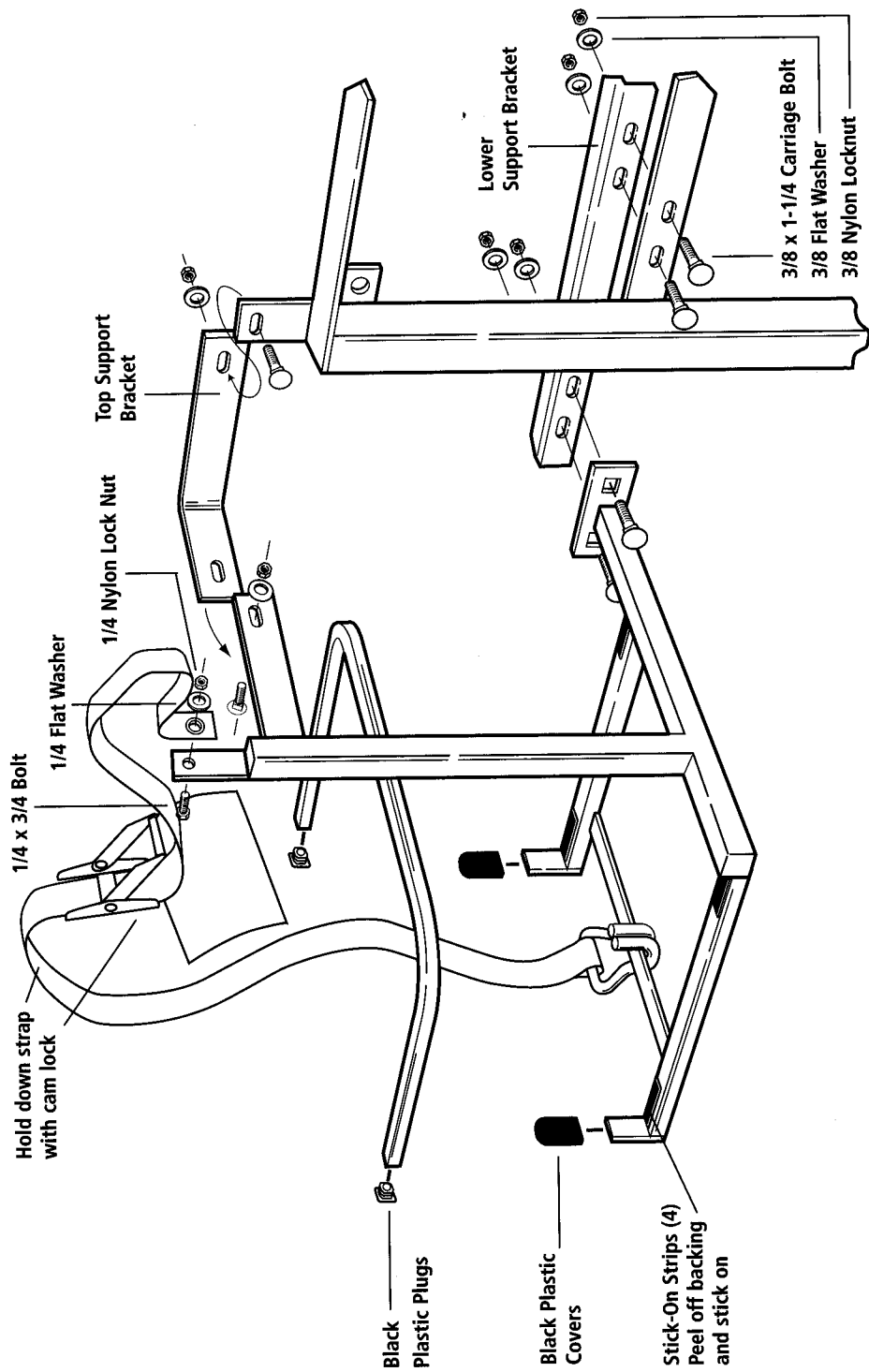
## General Assembly Drawing

Part No. 34940

### HARDWARE LIST

- 1 - Top support bracket
- 1 - Lower support bracket
- 1 - Hold down strap
- 2 - Black plastic covers
- 2 - Black plastic plugs
- 4 - Stick-On strips
- 1 - 1/4" x 3/4" Bolt
- 1 - 1/4" Flat washer
- 1 - 1/4" Nylon lock nut
- 6 - 3/8" x 1 1/4" Carriage bolts
- 6 - 3/8" Flat washers
- 6 - 3/8" Nylon lock nuts

**WILDERNESS™**  
**Accessories**  
 MFG. BY GARVIN INDUSTRIES



**WILDERNESS JEEP®**  
**GAS and WATER CAN HOLDERS**  
General Drawing



**WILDERNESS™**  
**Accessories**  
MFG. BY GARVIN INDUSTRIES

