

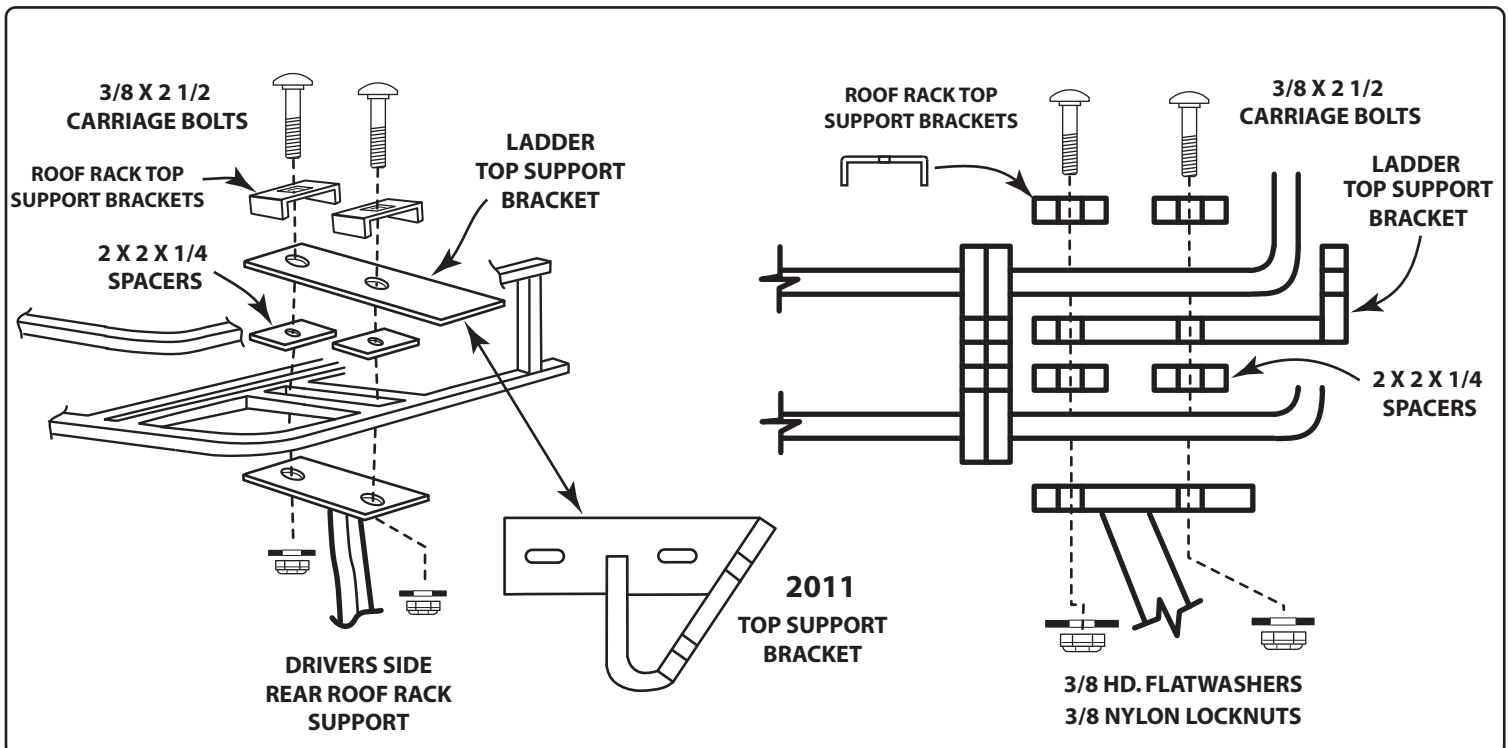
PARTS LIST

- | | |
|------------------------------------|--|
| 1 - LADDER (2011) | 2 - 3/8 H.D. FLATWASHERS (1 3/8" DIA.) |
| 1 - TOP SUPPORT BRACKET (2011) | 2 - 3/8 USS FLATWASHERS (1" DIA.) |
| 1 - LOWER SUPPORT BRACKET (2011) | 4 - 3/8 NYLON LOCK NUTS |
| 2 - 2" X 2" X 1/4" SPACERS | 3 - 5/16 X 1 CARRIAGE BOLTS |
| 2 - 3/8 X 2 1/2 CARRIAGE BOLTS | 3 - 5/16 FLATWASHERS (11/16" DIA.) |
| 2 - 3/8 X 1 1/4 CARRIAGE BOLTS | 3 - 5/16 NYLON LOCK NUTS |

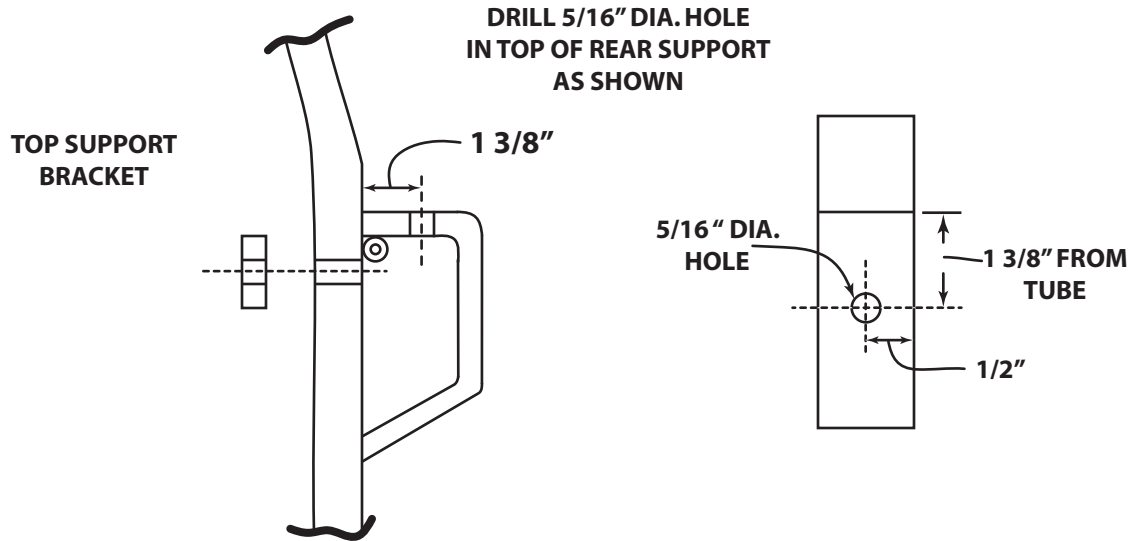
INSTALLATION INSTRUCTIONS

- 1 - REMOVE THE TOP ROOF RACK MOUNTING BOLTS FROM THE DRIVERS SIDE REAR SUPPORT.
- 2 - INSTALL THE LADDER TOP SUPPORT BRACKET AS SHOWN (FIGURE A). SLIGHTLY TIGHTEN TO HOLD IN PLACE, FOR ADJUSTMENT LATER.

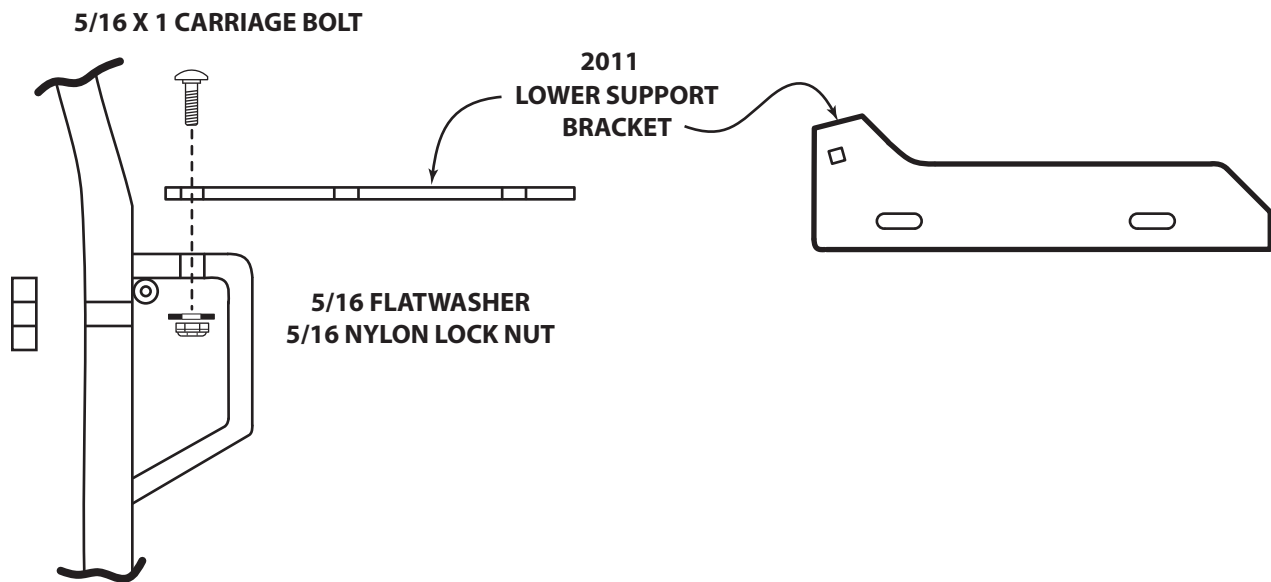
FIGURE A



3 - MARK AND DRILL 5/16" DIA HOLE IN BRACKET AS SHOWN (FIGURE B). (EARLY PRODUCTION RACKS REQUIRE DRILLING, LATER PRODUCTION RACKS ALREADY HAVE A HOLE IN FROM THE FACTORY.



4 - INSTALL LOWER SUPPORT BRACKET AS SHOWN, SLIGHTLEY TIGHTEN TO HOLD IN PLACE.

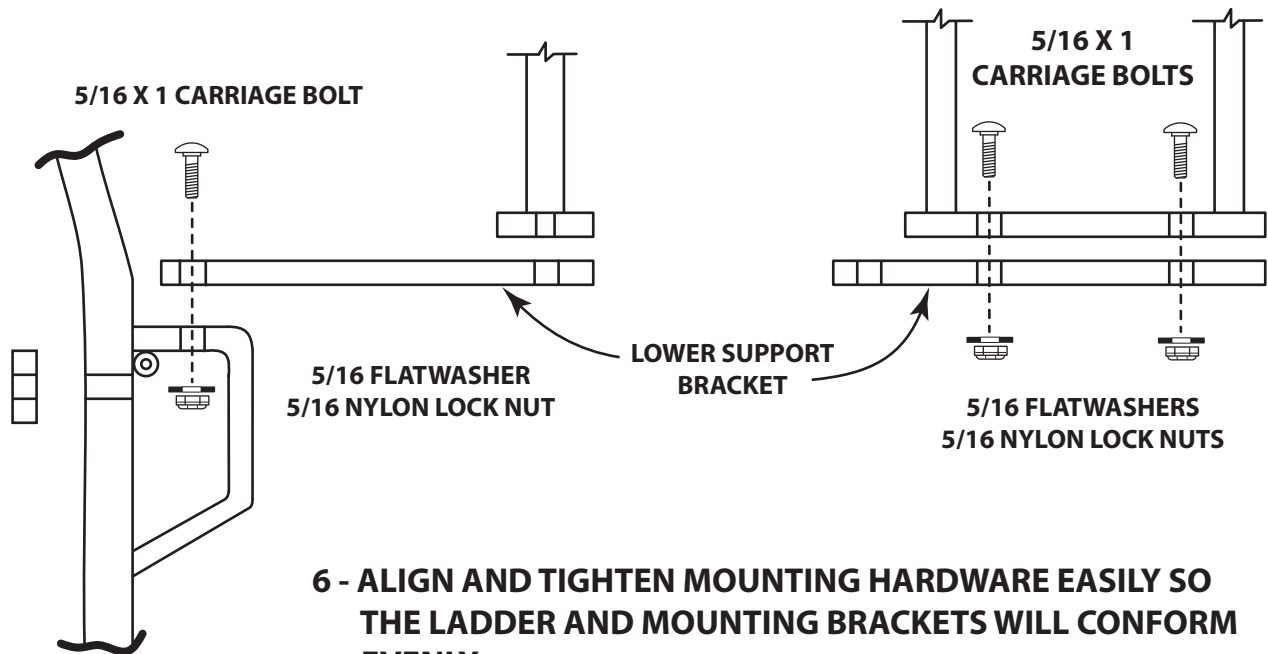
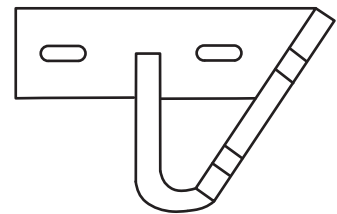
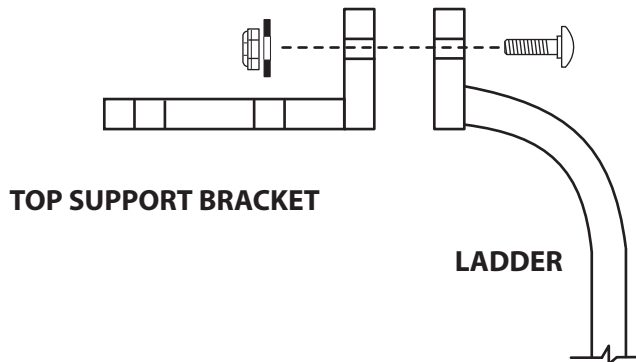


5 - INSTALL LADDER TO TOP SUPPORT BRACKET AND TOP SUPPORT BRACKET LEAVE LOOSE FOR ADJUSTMENT.

3/8 FLATWASHER (1' DIA.)
3/8 NYLON LOCKNUT

3/8 X 1 1/4 CARRIAGE BOLT

TOP SUPPORT BRACKET



- 6 - ALIGN AND TIGHTEN MOUNTING HARDWARE EASILY SO THE LADDER AND MOUNTING BRACKETS WILL CONFORM EVENLY.**
- 7 - ALIGN AND TIGHTEN ALL MOUNTING HARDWARE**
- 8 - USE CAUTION WHEN CLIMBING ON THIS LADDER.**