



## Model 1672 OWNER'S MANUAL



**8 x 8 ft. Awning Accessory**  
Fits Cabin Lodge Tent Model 6170. (Sold Separately)

Visit us online at: [www.KodiakCanvas.com](http://www.KodiakCanvas.com)

Important! For safe and proper assembly, use, and care, read and follow all instructions. Everyone who uses this tent should first read this manual.

# **WARNING**

## **No Fire**

This tent is flammable. Keep all flame and heat sources away from the tent fabric. Never place a stove, campfire, or any other flame source in or near your tent. Never use, light, or refuel a stove, lantern, heater, or any other heat source inside your tent. Death by carbon monoxide poisoning and/or serious burns are possible.

## **Ventilation**

Maintain adequate ventilation inside your tent at all times. Death by asphyxiation is possible.

## **Anchor**

This tent is not free-standing. If not properly anchored it will collapse. Always anchor your tent properly to reduce the risk of loss or injury to the tent or occupants.

## **Campsite Choice**

Carefully consider the possibility of falling rocks or tree limbs, lightning strikes, flash floods, avalanches, strong winds, and other objective hazards when choosing a campsite to reduce the risk of loss or injury to the tent or occupants.

## **Children**

Do not leave children unattended inside a tent or camp. Do not allow children to assemble or disassemble the tent.

Do not allow children to remain closed-up in a tent on hot days.

Do not allow children to swing on, or hang from any part of this tent, or guy ropes.

Failure to follow these warnings may result in injury and/or death.

## **Before You Set Out**

- You should assemble this tent at least once before your trip to familiarize yourself with the process, and make sure all the parts are in good condition.

**At least two adults are required for set up.**

## **IMPORTANT**

1. After initial set-up, it is recommended that you spray the tent with water and allow it to dry completely. This seasons the canvas. The water causes the canvas to shrink slightly, closing the needle holes where the canvas was stitched. This process is only required once.
2. The tent must be completely dry before storage! **STORING A WET OR DAMP TENT, EVEN FOR A SHORT TIME, WILL RUIN IT AND VOID THE WARRANTY.**

## Kodiak Canvas Limited Lifetime Warranty

This product is warranted, to the original purchaser, to be free of defects in materials and workmanship for as long as you own the product. This product is made with quality materials and expert workmanship but is not indestructible. This warranty does not cover damage attributed to or resulting from normal wear and tear (e.g. exhausted zippers), natural hazards (e.g. weather, animals), abuse (e.g. mold, mildew, burns, ultraviolet), or alterations or modifications of any kind. If your product is found defective, we will repair or replace it free of charge. Charges for shipping your product to Kodiak Canvas will be your responsibility. We reserve the right to make substitutions if parts are unavailable or obsolete. If your product needs repair beyond what is covered under warranty, we will provide parts and service at a reasonable charge.

This warranty gives you, the original purchaser, specific legal rights. You may also have other rights which vary from state to state. **Do not return your product until you have received authorization and instruction to do so.**

To obtain service, contact us at [www.KodiakCanvas.com](http://www.KodiakCanvas.com), or write to:

Kodiak Canvas Customer Service  
PO Box 762  
Layton, UT 84041 USA

### Component Check List

Identify all components and make sure they are in good condition and working order.

Part	Description	Quantity
<b>Poles</b>		
(1)	Corner Awning Upright	2
(2)	Center Awning Upright	1
(3)	Center Awning Ridge Pole	1
(4)	Side Awning Ridge Pole	2
(5)	Gable Pole	2
<b>Other</b>		
	Awning Roof	1
	Awning Walls	1
	Storage Bag	1
	Pole Storage Bag	1
	Stake Storage Bag	1
	Guy Ropes (standard)	2
	Tent Stakes	14

Corner Awning Upright



Center Awning Upright



Center Awning Ridge Pole



Side Awning Ridge Pole



Gable



## Assembly Instructions

**The use of protective gloves and eyewear is recommended during assembly.**

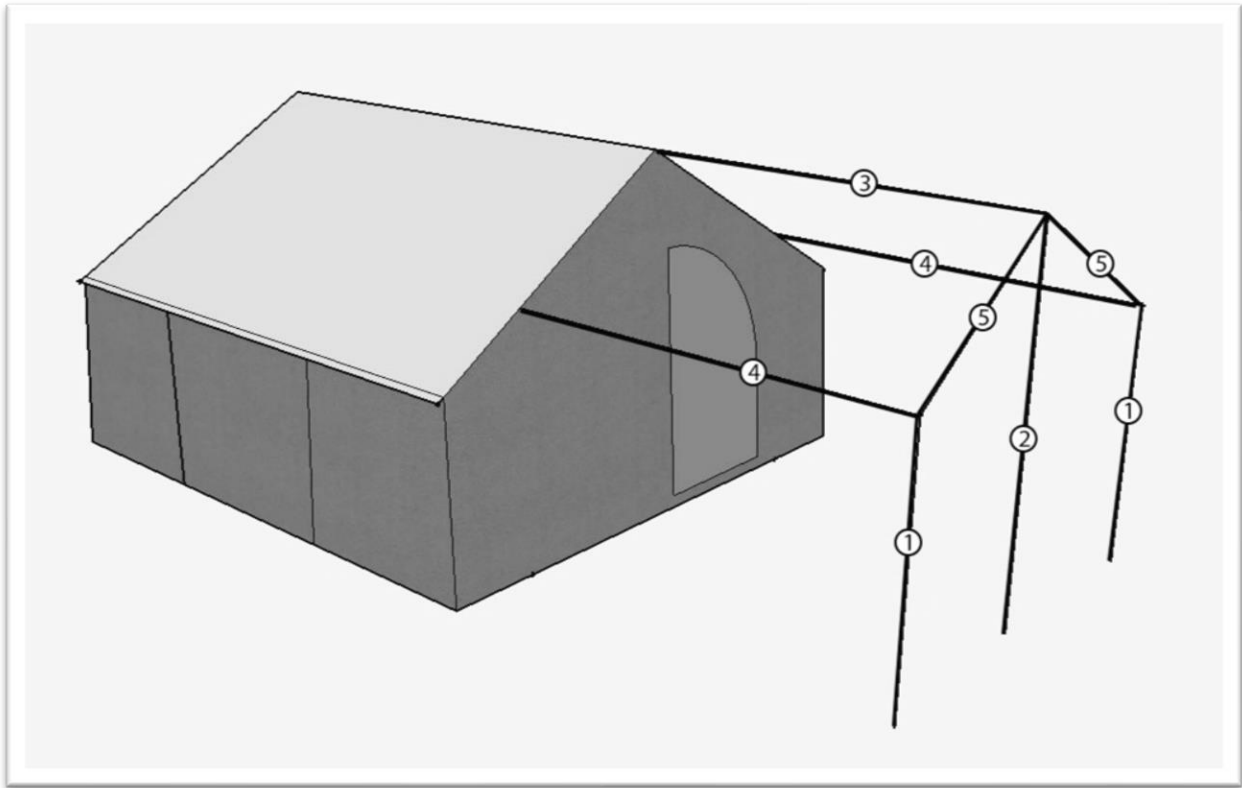
### **Step 1 - Stake the Tent. Attach the Awning. Erect the Tent.**

First, stake the Cabin Lodge Tent (Sold separately). Next, zip the Awning Roof onto the Cabin Lodge tent with corresponding zippers. Erect the Cabin Lodge Tent. Do not attach guy ropes to the front of the tent, as this is where the Awning will attach. The top of the Main Upright pole (from the Cabin Lodge Tent) will need to feed through the sleeved opening in the awning as shown in the image below.

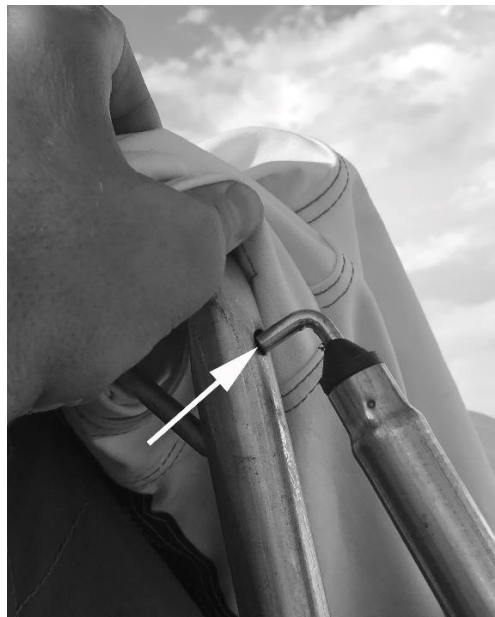


## Step 2 – Assemble the Awning Frame

This step is much easier with a few helpers. It requires at least 2 adults. Assemble the frame members as shown in the diagram below. The numbers on the diagram refer to the parts on page 4.



Connect the Center Awning Ridge pole to the Main Upright pole on the tent, by inserting the elbow hook into the hole near the top of the Main Upright pole as shown in the image below. **Important Tip:** When taking down the tent, be sure to support the Center Awning Ridge pole until the hook is removed, or damage can occur to your poles.



The other parts connect by placing the tip of the upright poles through the holes with the red plastic covers. Extend the telescoping poles only part way (you will give a final tighten and extension once all canvas is in place). All thumb screws, on awning poles should face down. Only hand tighten the thumb screws.

### **Step 3 – Install the Awning Walls**

Find the tabs with grommets on the top edge of the Awning Walls. Place the hole in the grommets over the tips of corresponding upright poles.



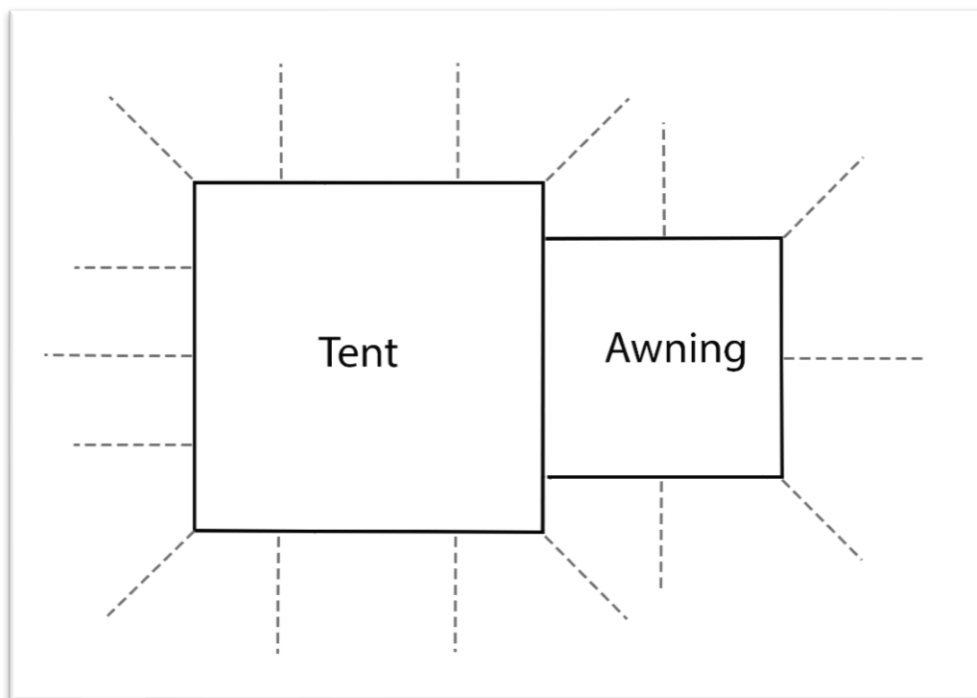
Secure the Awning Walls to the tent by joining the large hook and loop (similar to Velcro) strips, and tie loops. Secure the top edge of the Awning Walls to the frame with hook and loop strips.

### **Step 4 – Put the Awning Roof in place.**

Place the Awning Roof over the top of the awning frame. Insert tips of the upright poles through the corresponding grommet holes. Extend the telescoping awning ridge poles and gables until taut. Secure to the frame with hook and loop tabs.

### **Step 5 – Secure in place with guy ropes and stakes.**

Place a small loop in the end of a Standard Guy Rope and place over the tip of the awning uprights. Use the Long Guy Rope (supplied with the tent) for the Center Awning Upright. Attach the Standard Guy Ropes to the small loops at the side of the Awning Roof. The diagram top of page 8 shows the location and correct position for guy ropes (represented with dashed lines).



Secure the bottom of the Awning walls with tent stakes.

## Take Down and Storage

First, dry and clean out tent. Make sure your tent is absolutely dry. Zip down the windows; open the door; let the tent air out inside. Collapse the tent and remove all the poles. **It is important to support poles, and not let them fall to the ground until they are disconnected from other poles. This can prevent the connection tips from bending or breaking.** Wrap and neatly store the guy ropes. *Tips: 1) This tent has a lot of guy ropes. Save yourself the frustration of a tangled guy rope mess. Wrap guy ropes and secure with twist ties, elastics, or zip lock bags.*

## Care

- VERY IMPORTANT—Your tent must be completely dry before storage! STORING A WET OR DAMP TENT, CAN RUIN IT AND VOID THE WARRANTY.
- To clean tent, hose down with water and wipe with a cloth. Do not use soaps and detergents as they can damage the water-repellant treatment of the canvas.
- Do not spray insecticides or bug repellent directly on the canvas. This may damage the water-repellant treatment.
- For long-term storage, store in a cool, dry location that is not exposed to direct sunlight.
- This tent is equipped with quality zippers. To prolong zipper life, do not grind the zippers around corners. If needed, pull the canvas, windows or doors to help zippers glide smoothly. Keep them clean from dirt.
- The canvas on your tent has a special Hydra-Shield™ treatment that is watertight, yet breathable. You should rarely, if ever, have to retreat the canvas. If you do need to spot treat the canvas for water repellency, use a silicone-based repellent such as Kiwi Camp Dry®. Other treatments may clog the tiny pores in the canvas eliminating its breathability.
- Winter camping can be an enjoyable experience in a Kodiak Canvas tent. However, this tent is not designed to withstand heavy snow accumulations for extended periods of time. The tent will need to be cleared of snow multiple times a day during heavy snowfall.