

PARTS LIST

ROOF RACK

- 1 - FRONT RACK END (35" X 4")
- 1 - REAR RACK END (35" X 4")
- 1 - BOLT KIT # 2000
- 2 - SIDES (42 5/8" X 4")

FLOORING

- 6 - FLOOR PIECES (60 3/8")
- 1 - FLOORING BOLT KIT
CONTENTS
- 12 - 1/4 X 1 1/4 BOLTS
- 12 - 1/4 LOCKWASHERS
- 12 - 1/4 FLATWASHERS (1 1/4" DIA.)
- 12 - BLACK PLASTIC END CAPS

WIND DEFLECTOR

- 1 - WIND DEFLECTOR (5 1/2" X 35")
- 2 - FRONT MOUNTING BRACKETS
- 2 - REAR SUPPORT PLATES
- 4 - 5/16 X 3/4 CARRIAGE BOLTS
- 8 - 5/16 FLATWASHERS
- 8 - 5/16 THIN NYLON LOCKNUTS

MOUNTING KIT

- 4 - TOP MOUNTING BRACKETS
- 4 - LOWER MOUNTING BRACKETS
- 8 - 1/4" BLACK PLASTIC SPACERS
- 16 - 5/16 X 1 1/4 CARRIAGE BOLTS
- 16 - 5/16 REG. NYLON LOCKNUTS
- 16 - 5/16 FLATWASHERS

INSTALLATION INSTRUCTIONS

- 1 - ASSEMBLE ROOF RACK AND FLOORING AS SHOWN ON PAGES 2 & 3, ALIGH AND TIGHTEN ALL HARDWARE
- 2 - INSTALL THE FOUR MOUNTING BRACKETS (TOP PARTS ONLY) TO THE ROOF RACK, REFER TO PAGE 4. SLIGHTLEY TIGHTEN FASTNERS TO HOLD MOUNTING BRACKETS IN PLACE.
- 3 - INSTALL FRONT WIND DEFLECTOR TO ROOF RACK, REFER TO PAGE 4. WIND DEFLECTOR NOT REQUIRED WITH VEHICLES THAT HAVE FACTORY LIGHT BAR INSTALLED. ALIGN WIND DEFLECTOR AND TIGHTEN ALL HARDWARE.
- 4 - REMOVE ALL FACTORY CROSSBARS FROM FACTORY ROOF RACK.
- 5 - WITH SOME HELP, POSITION THE GARVIN RACK INSIDE THE FACTORY ROOF RACK, WITH THE REAR MOUNTS RESTING ON THE REAR SECTION OF THE FACTORY RACK AND THE SIDE MOUNTS RESTING ON THE FRONT SIDES OF THE FACTORY RACK.
- 6 - SECURE THE RACK TO THE FACTORY RAILS WITH THE LOWER MOUNTING BRACKET AS SHOWN ON PAGE 4.
- 7 - ALIGN ROOF RACK AND TIGHTEN ALL MOUNTING HARDWARE.
- 8 - ROOF RACK SHOULD BE WASHED AND CLEANED ON A REGULAR BASIS TO HELP PREVENT CORROISON. TOUCH UP ALL NICKS AND SCRATCHES WITH A QUALITY SATIN BLACK PAINT TO PREVENT RUSTING.

WILDERNESS ROOF RACK

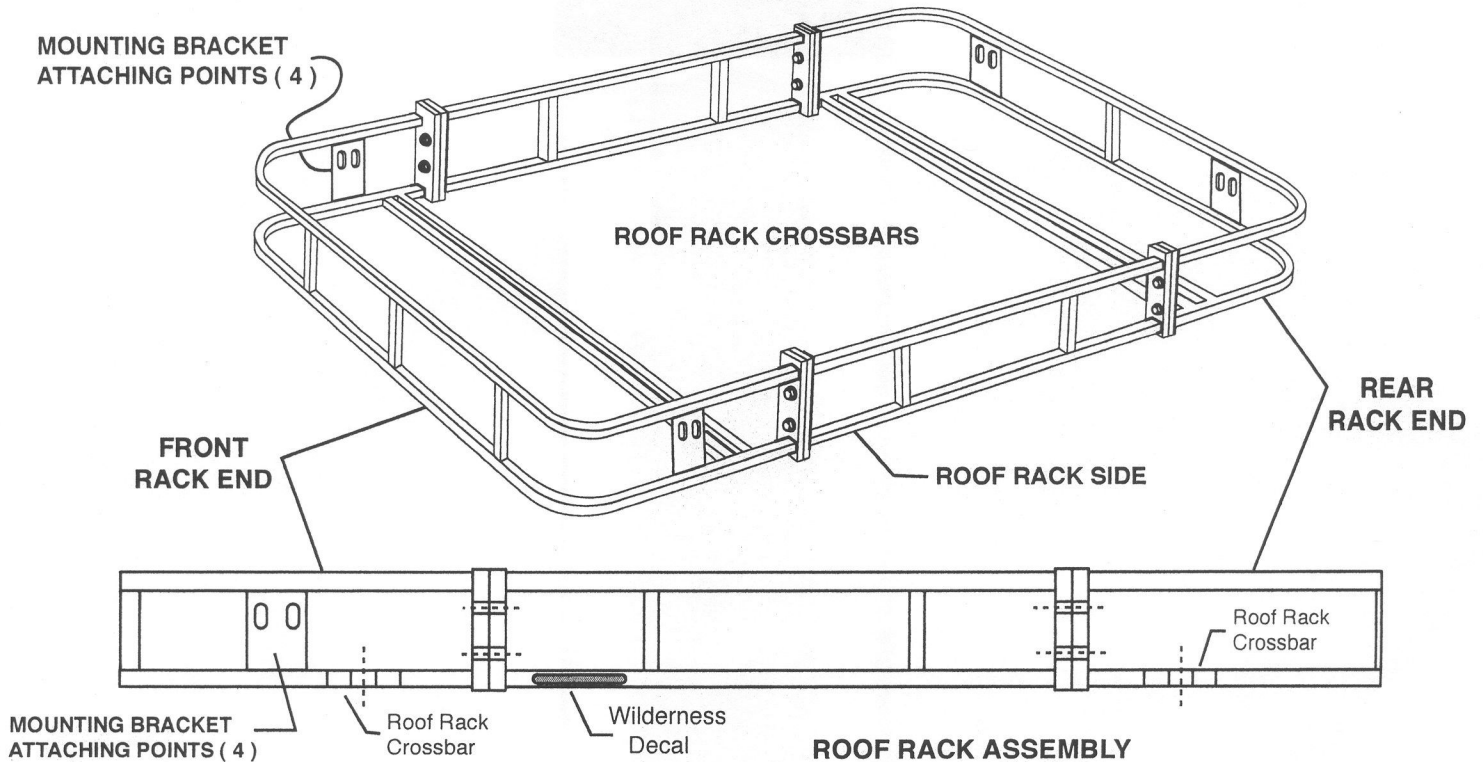
General Assembly Instructions

garvin

WILDERNESS PRODUCTS™

ROOF RACK SIZE
35" WIDE 66" LONG 4" HIGH
(PART # 55610)

Page 2 of 4



PARTS LIST

- 1- FRONT RACK END (35" x 4")
- 1- REAR RACK END (35" x 4")
- 1- BOLT KIT # 2000
- 2- SIDES (42 5/8" x 4")

- 1 - Assemble roof rack ends to roof rack sides as shown in figures A and B.
- 2 - Align and tighten all fasteners.
- 3 - Roof rack flooring and vehicle mounting are shown in their respective installation instructions.

CAUTION!!! LOADING and WEIGHT CAPACITY

- 1 - Use common sense when loading items on this roof rack.
- 2 - The roof rack will support more weight than the vehicle roof mounting will safely support.
- 3 - As a general rule up to 200 Lbs. evenly distributed is a safe load for this rack.

FIGURE A

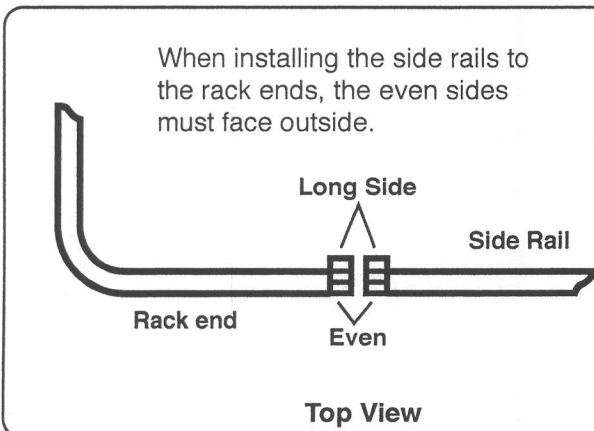
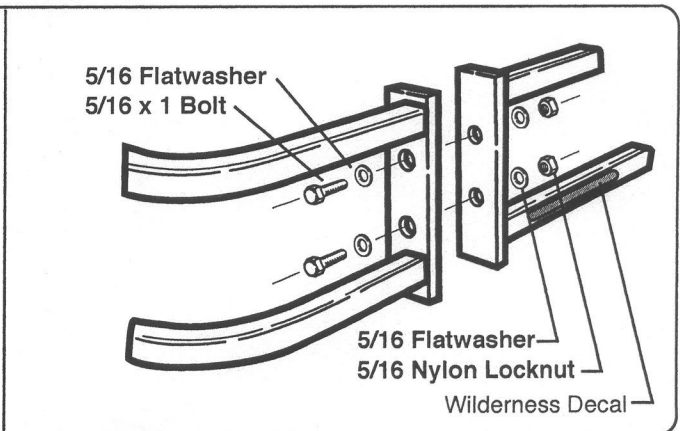


FIGURE B



WILDERNESS ROOF RACK FLOORING

General Assembly Instructions

garvin

WILDERNESS PRODUCTS™

PART # 11556 FLOORING FOR COMPLETE
ROOF RACK PART # 55610

Page 3 of 4

FIGURE A

Install black plastic plugs into end of flooring. Use silicon around plug before installing for added protection in (wet) weather conditions.

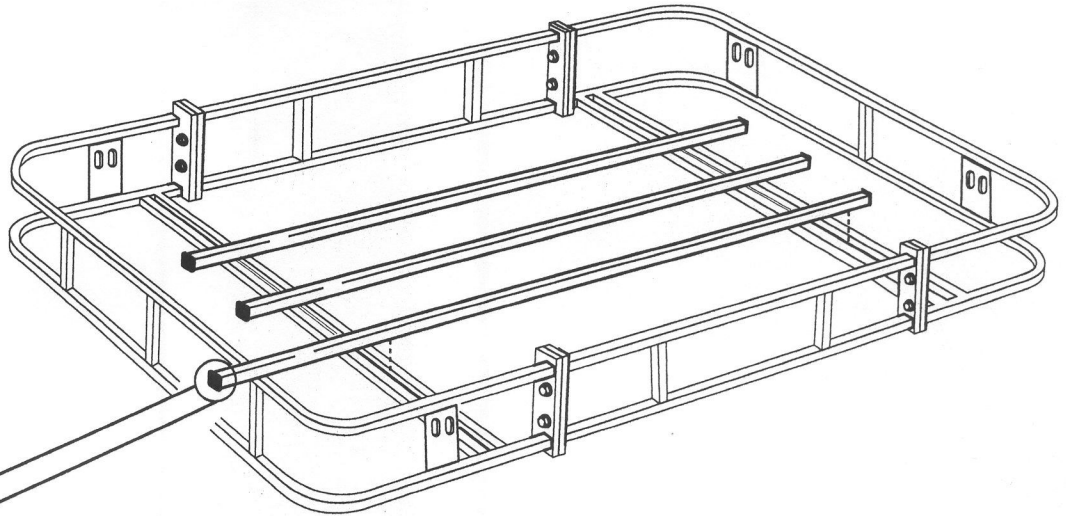
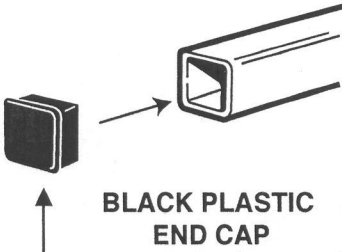
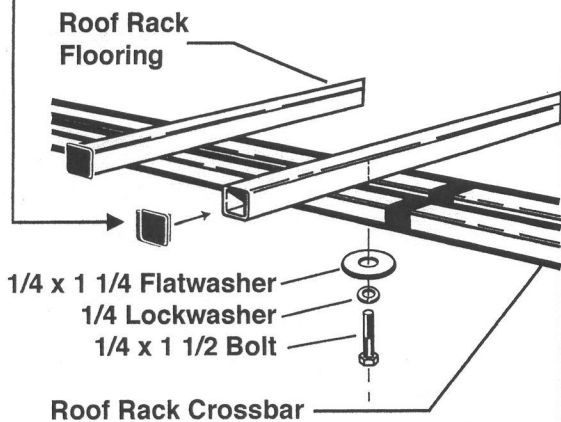


FIGURE B



Apply Loctite to threads of 1/4 x 1 1/2" bolts for off road use.

SEE YELLOW CAUTION SHEET BEFORE TIGHTENING BOLTS

THE FLOORS MOUNT ON TOP OF THE ROOF RACK CROSSBARS AND ARE COMPATIBLE WITH EITHER THE SPORT SERIES OR THE OFF ROAD SERIES ROOF RACKS.

PARTS LIST

6 - FLOOR PIECES (60 3/8")
1 - FLOORING BOLT KIT

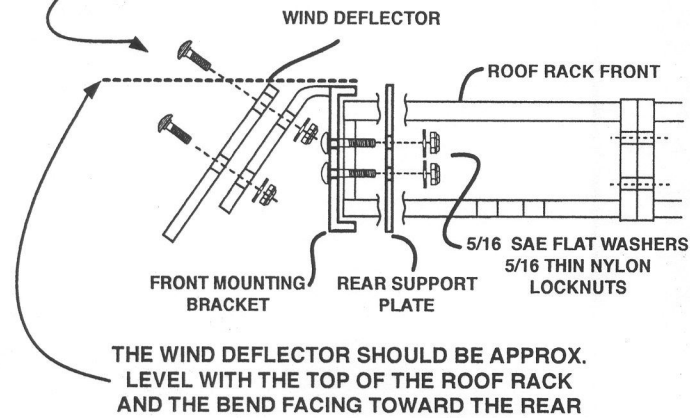
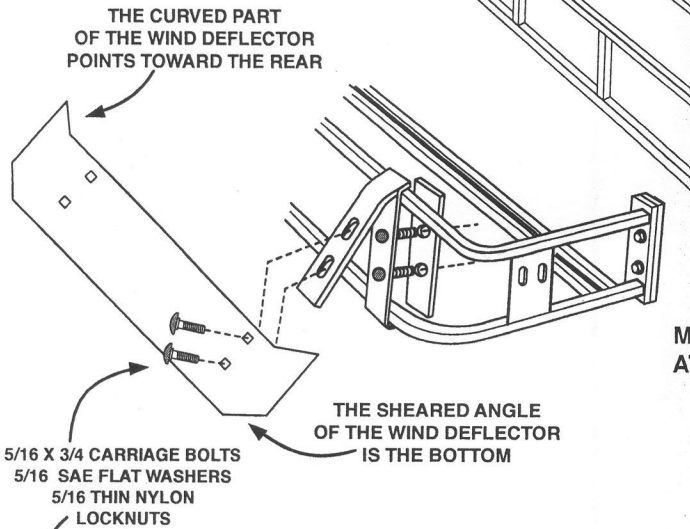
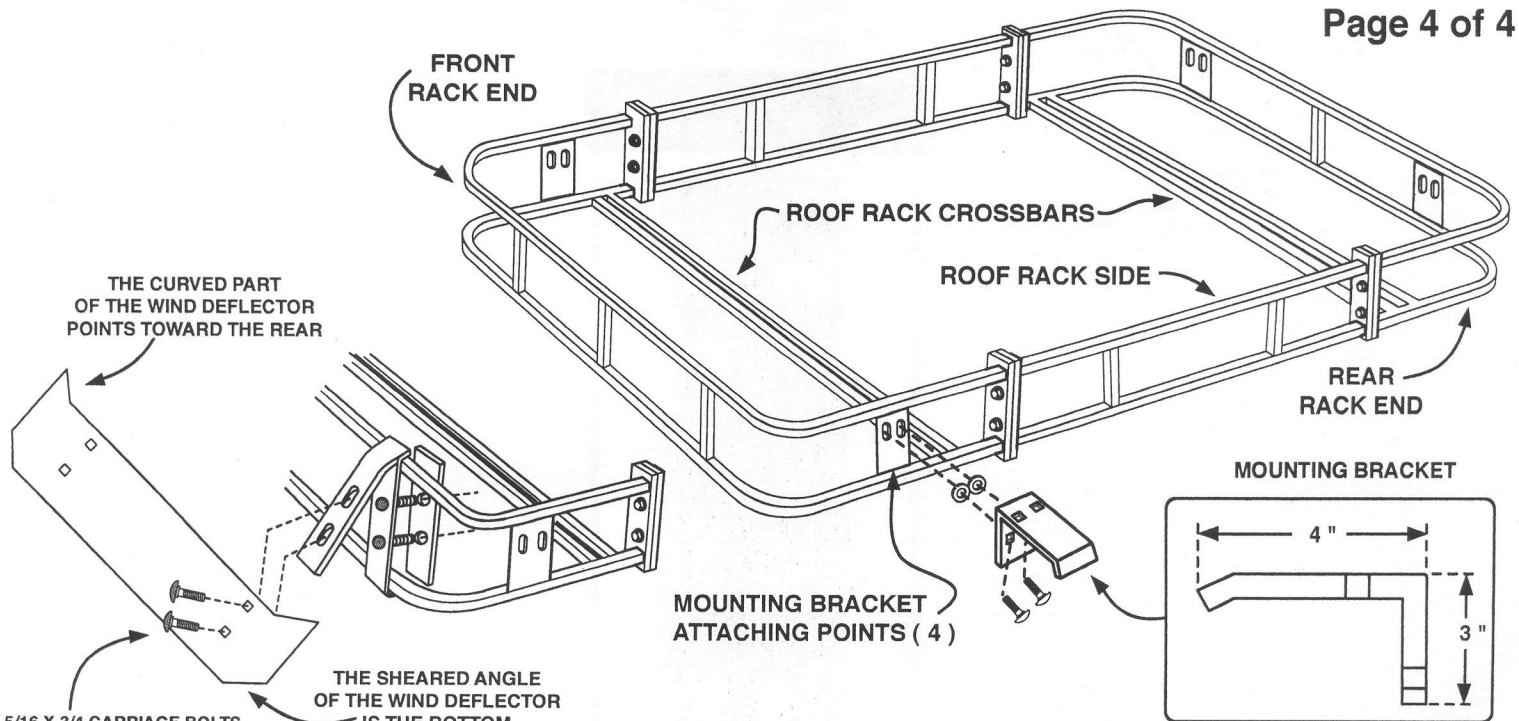
CONTENTS

12 - 1/4 X 1 1/4" BOLTS
12 - 1/4 LOCKWASHERS
12 - 1/4 FLATWASHERS (1 1/4" DIA.)
12 - BLACK PLASTIC END CAPS

INSTALLATION INSTRUCTIONS

- 1 - INSTALL BLACK PLASTIC END CAPS IN FLOOR ENDS (FIGURE A)
- 2 - INSTALL FLOORS TO ROOF RACK CROSSBARS (FIGURE B)
- 3 - START ALL BOLTS IN FLOORING (FIGURE B), LEAVE BOLTS LOOSE, EVENLY SPACE FLOORS ON ROOF RACK.
- 4 - ALIGN FLOORS AND THEN READ THE YELLOW CAUTION SHEET (ENCLOSED) BEFORE TIGHTENING 1/4 X 1 1/2" BOLTS.

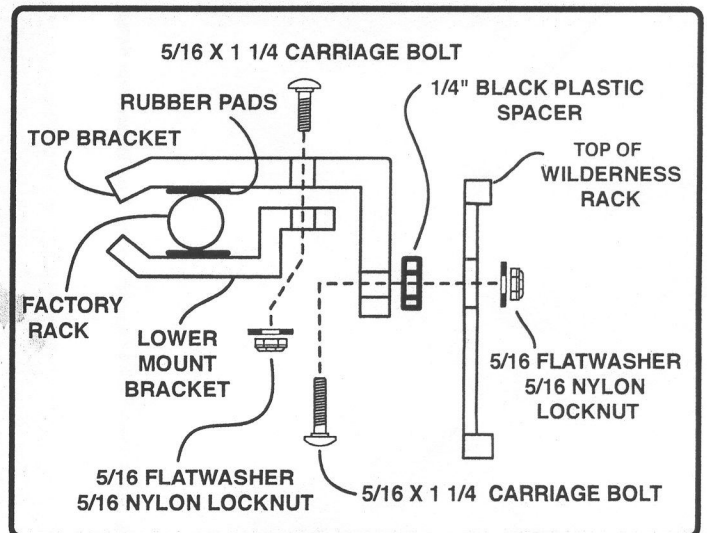
WILDERNESS ROOF RACK (PART # 55610)
FJ CRUISER ADVENTURE RACK XL
MOUNTING KIT ASSEMBLY PART # 28610



WIND DEFLECTOR PARTS LIST

- 1 - WIND DEFLECTOR (5 1/2" X 35")
- 2 - FRONT MOUNTING BRACKETS
- 2 - REAR SUPPORT PLATES
- 4 - 5/16 X 3/4 CARRIAGE BOLTS
- 8 - 5/16 FLATWASHERS
- 8 - 5/16 THIN NYLON LOCKNUTS

MOUNTING BRACKET ASSEMBLY



MOUNTING KIT PARTS LIST

- 4 - TOP MOUNTING BRACKETS
- 4 - LOWER MOUNTING BRACKETS
- 8 - 1/4" BLACK PLASTIC SPACERS
- 16 - 5/16 X 1 1/4 CARRIAGE BOLTS
- 16 - 5/16 REG NYLON LOCKNUTS
- 16 - 5/16 FLATWASHERS